

University of Science and Technology of Southern Philippines

Alubijid | Cagayan de Oro | Claveria | Jasaan | Oroquieta | Panaon

REVISED BID FORM

NAME OF THE PROJECT : **Proposed Procurement for the Supply, Delivery, Installation and Commissioning of WAN Dark Fiber Rental and Internet Connectivity for USTP**

APPROVED BUDGET OF : **SEVEN MILLION FOUR HUNDRED FIFTY THOUSAND EIGHT HUNDRED PESOS AND 00/100 (P7,450,800.00) ONLY**

BRIEF DESCRIPTION : **Supply, Delivery, Installation and Commissioning of WAN Dark Fiber Rental and Internet Connectivity for USTP**

SOURCE OF FUND : **GAA & IGI FY 2022**

CONTRACT DURATION : **Twelve (12) months**

ITEM NO.	DESCRIPTION/SPECIFICATIONS	QTY	UNIT	USTP APPROVED UNIT PRICE	UNIT PRICE	AMOUNT
1	Wide Area Network via Dark Fiber Rental and Internet Connection Sharing for Balubal, Jasaan, Villanueva, Alubijid and Claveria Campuses to CDO Campus as Hub to 6 Campus (with last mile connectivity to RDO from Lourdes Alubijid) NOTE: Please see attached Terms of Reference	12	months	360,000.00	P	P
2	Internet Connection, 200 Mbps, CIR/Transmission Rate, Direct Fiber Optic Line, reliability -99%, Contract Period (12Months), Renewable annually based on the evaluation of Quality of Service (QoS), Bundled with atleast 13 Public IPs and 15 Cloud-managed Wi-Fi 6 Access Points with FULL access to Cloud Management System, redundant to existing internet connection	12	months	160,900.00	P	P
3	Internet (VPN Link for Oroquieta-CDO and Panaon-CDO) @ 200MBPS NOTE: Please see attached Terms of Reference	12	months	100,000.00	P	P

The service provided shall be evaluated based on the following;

Parameter	Service Label Agreement
Circuitry Availability	99.60%
Round-trip delay	<200msec (at 50% average traffic utilization)
MTTRespond	<30 (phone; 4<hrs (field)
MTTRepair	95% within 4hours, 100% within 8 hours with CBD S

In case of service interruption for any cause, the Internet Source Provider, with or without the request of USTP, shall give a rebate of a portion of the monthly contract price based on the following schedule:

Length of Interruption (minutes)	Credit (Day)
less than 30	None
30 - 179	1 / 10

hale

je

ITEM NO.	DESCRIPTION/SPECIFICATIONS	QTY	UNIT	USTP APPROVED UNIT PRICE	UNIT PRICE	AMOUNT
	180 - 359		1 / 5			
	360 - 539		2 / 5			
	540 - 719		3 / 5			
	720 - 899		4 / 5			
	900- 1440		1			
TOTAL:						P

Total Bid Price in Figure: _____

Total Bid Price in Words: _____

Name and Signature of Bidder: _____

All bid proposals must be sealed in envelopes properly labeled and submitted to this University on or before the deadline of submission of bids, **July 27, 2022, 02:00 P.M.** at the Procurement Services, 2nd Level Gymnasium Lobby, University of Science and Technology of Southern Philippines, C.M. Recto Ave., Lapasan Cagayan de Oro City.

The University of Science and Technology of Southern Philippines assumes no responsibility whatsoever to compensate or indemnify bidders for any expenses incurred in the preparation of the bid. The USTsP neither assumes any obligation for whatsoever losses that the bidders may incur in the preparation on their bids nor guarantee that an award will be made.


ATTY. JONATHAN S. OCHE
 BAC I Chairperson *JO*

TERMS OF REFERENCE FOR ITEM 1

Technical Specifications:

Lease of Fiber Optic Cable (Dark fiber) infrastructure to set-up USTP Wide Area Network that connects five (5) external sites namely; Villanueva Campus, Jasa-an Campus, Balubal, Campus, Claveria Campus and Lourdes Alubijid Campus to CDO Campus using dedicated fiber optic connection. Please refer to the Approved Network Plan (*Annex A*)

The lease of infrastructure also includes the following:

- last mile connectivity from Lourdes Alubijid Campus to Research Development Office at the main campus in Alubijid Campus.
- Internet Connectivity of CDO Campus with 300 Mbps bandwidth with CIR of 1:1 dedicated Line
- Layer 3 switch in CDO Campus and layer 2 switch in other 5 external campuses
- Cable TV terminal to access Cable TV Channel of USTP and other available channels in Cagayan de Oro City

Allowable Downtime per month due to fiber break caused by unavoidable circumstances and preventive/corrective maintenance of the Provider's network:

Wide Area Network via FOC =

Internet Connection in CDO = 99%

Downtime beyond the allowable downtime is subjected to rebate based on the computation of the End-User.

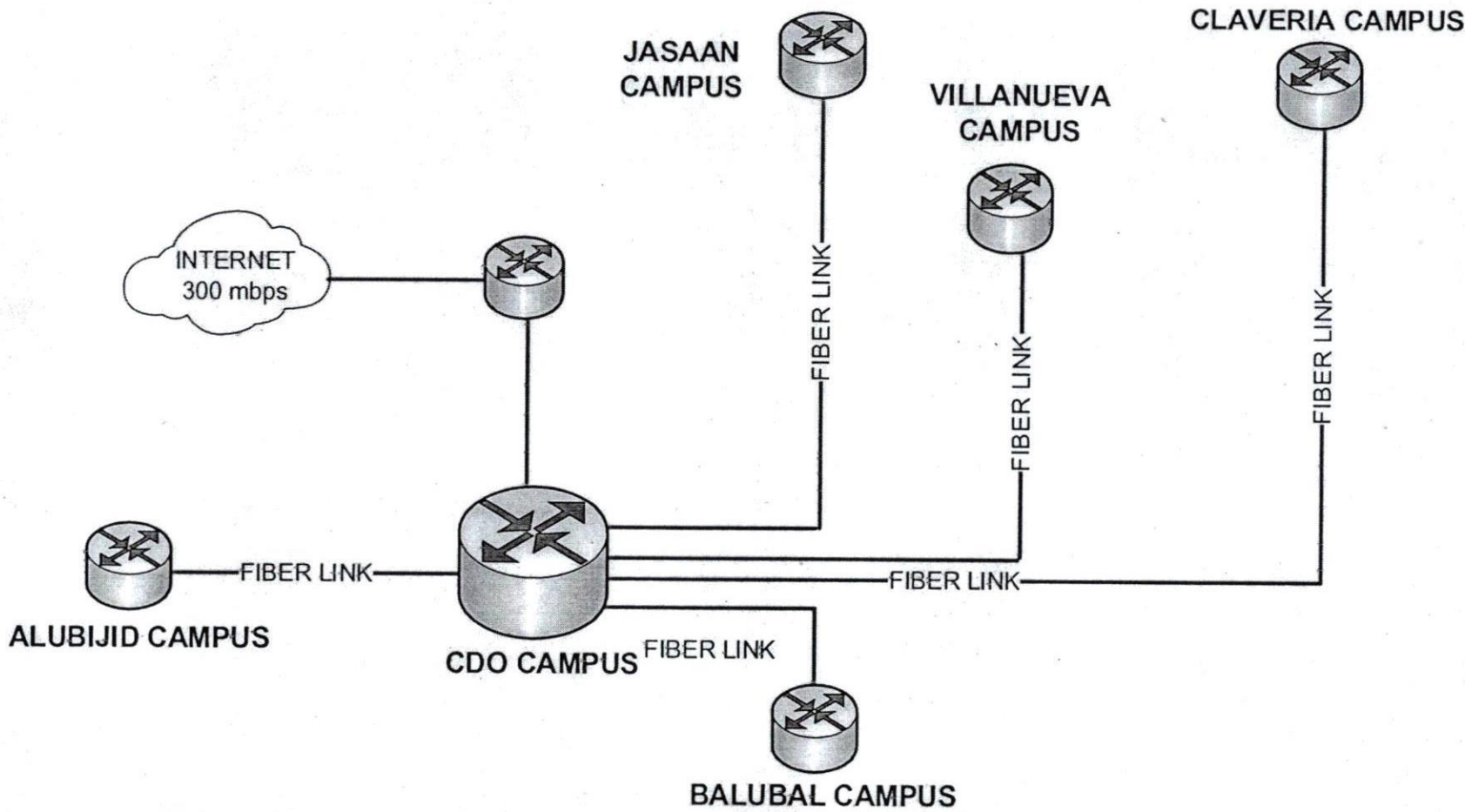


ENGR. MARY ANN E. TELEN

Director, ICT Services

USTP-CDO Campus

jsck



NETWORK TOPOLOGY: STAR

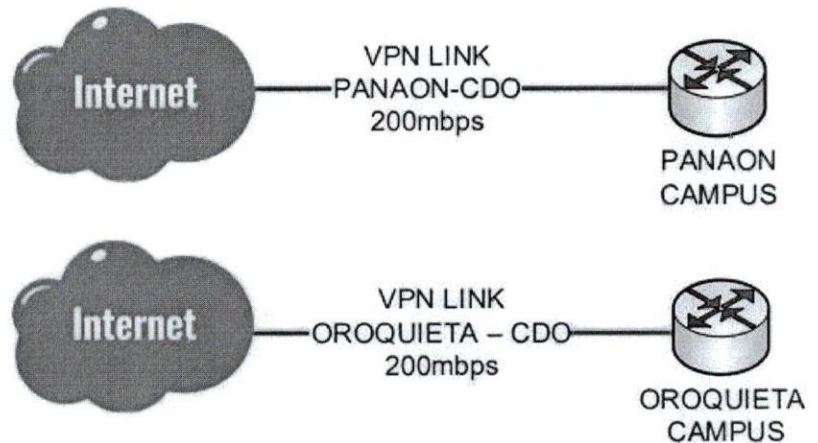
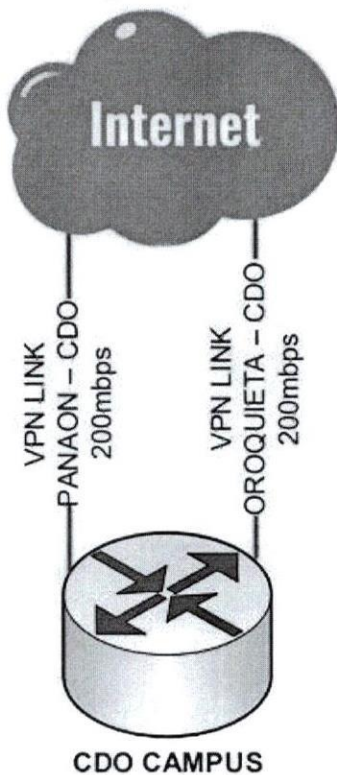
ANNEX A: APPROVED NETWORK PLAN		Prepared By:	Approved By:	Sheet No.
Location:	CDO CAMPUS - C.M Recto Cagayan de Oro City	PHILIP T. ABAMONGA	ENGR. MARY ANN E. PELEN	

Kole

TERMS OF REFERENCE FOR ITEM 3
(VPN LINK for Oroquieta-CDO and Panaon-CDO)

- Suppliers will provide the CPE (with optical port) and do the necessary configurations, testing troubleshooting and repair.
- Service will be delivered through fiber optic cable.
- Supplier will provide security for all sites: unique identifier per client (VRF) and compliant with 256-bit AES/latest encryption technology.
- CIR/Maximum throughput : 200Mbps
- Max concurrent connection : 200
- Supplier will provide necessary routing

TOP-LEVEL DIAGRAM




ENGR. MARY ANN E. TELEN
Director, ICT Services
USTP-CDO Campus

hale