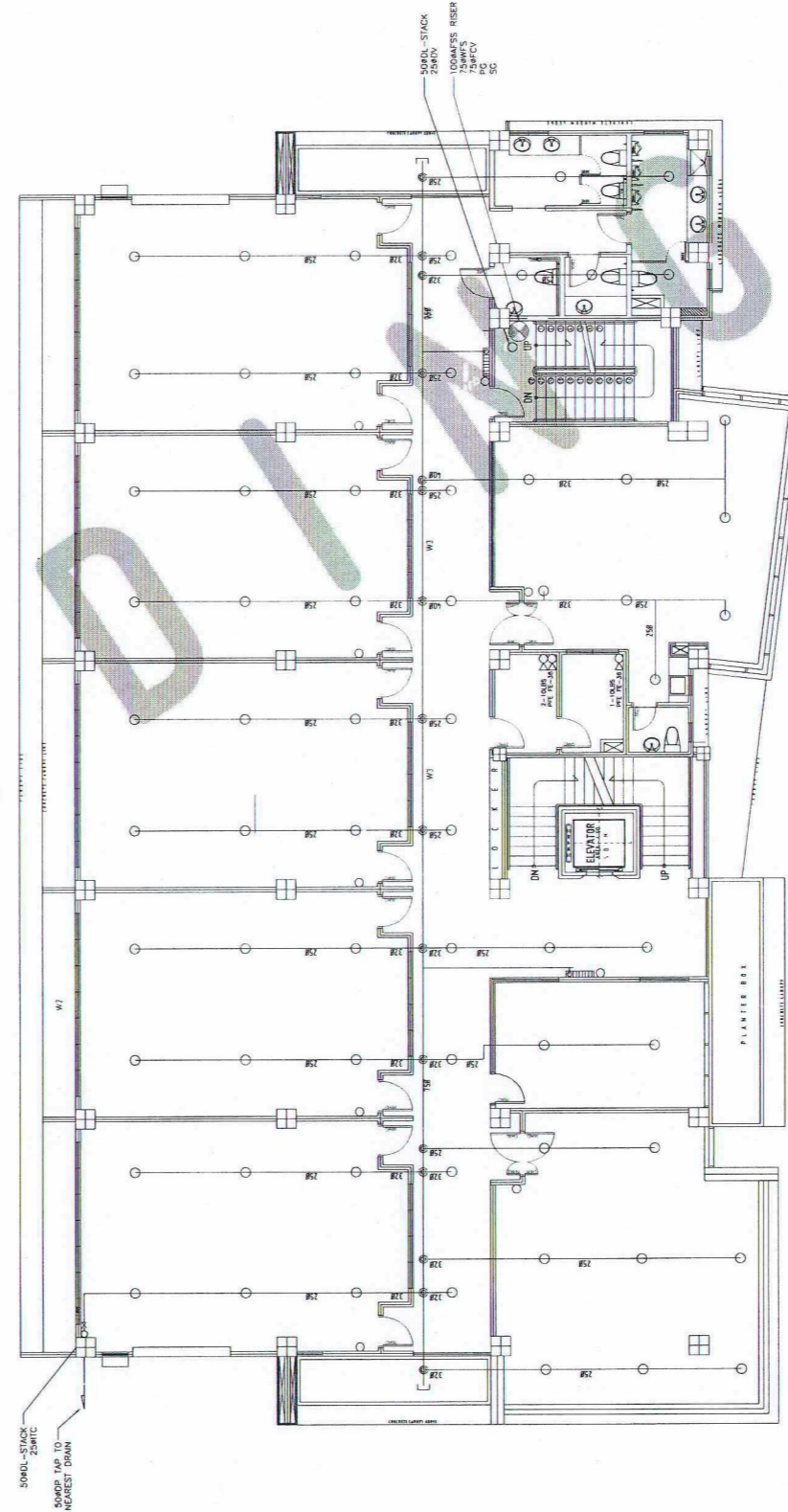


THIRD FLOOR PLAN

1:100 MTS

SCALE



FOURTH FLOOR PLAN

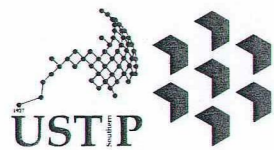
1:100 MTS

SCALE



- GENERAL NOTES:
1. RFL - FINISH FLOOR LINE, VERIFY FLOOR FINISHES/MATERIALS.
 2. ALL INTERIOR PARTITIONS AND FURNITURE LAYOUT ARE INDICATIVE ONLY AND MAY CHANGE. VERIFY INTERIOR DESIGN DRAWINGS.
 3. ALL LANDSCAPE ARCHITECTURE ELEMENTS ARE INDICATIVE ONLY AND MAY CHANGE. VERIFY LANDSCAPE ARCHITECTURE DRAWINGS.
 4. DO NOT SCALE DRAWINGS, WRITTEN DIMENSIONS TO GOVERN.
 5. IN CASE OF DISCREPANCY IN THE FIGURES AND DRAWINGS THE MATTER SHALL BE SUBMITTED IMMEDIATELY TO THE ARCHITECT BEFORE ADJUSTMENTS ARE TO BE MADE.
 6. VERIFY ACTUAL TECHNICAL SITE CONDITIONS.
 7. VERIFY ACTUAL ELEVATION MARKS AND LOT BOUNDARIES PRIOR TO COMMENCING WORK.
 8. ALL WORKS HEREIN SHALL BE DONE UNDER THE STRICT SUPERVISION OF DULY LICENSED AND EXPERIENCED ARCHITECT/ENGINEER.
 9. LOT AND BUILDING BOUNDARIES SHOULD BE SUPPORTED BY RETAINING WALLS AND FENCES. VERIFY EXISTING HEIGHTS, ELEVATIONS AND OTHER SITE CONDITIONS.
 10. THE GENERAL CONTRACTOR, SUB-CONTRACTORS INCLUDING SPECIALTY CONTRACTORS, SHALL SUBMIT PROPER SHOP DRAWINGS INCLUDING MATERIALS SAMPLE PRIOR TO INSTALLATIONS FOR ARCHITECT'S APPROVAL.

- IMPORTANT NOTES:
1. CHECK AND VERIFY ACTUAL SITE CONDITION BEFORE CONSTRUCTION.
 2. CHECK AND REVIEW PLANS, AND IF THERE ARE CONFLICTS BETWEEN DRAWINGS, RFL, RFP, AND TECHNICAL SPECIFICATIONS, INFORM THE UPDU THRU RFL BEFORE PROCUREMENT AND INSTALLATION OF CERTAIN ITEMS AND MATERIALS.
 3. BEFORE INSTALLATION OF MATERIALS, ESPECIALLY ARCHITECTURAL FINISHES OR MATERIALS THAT WILL GREATLY AFFECT THE CONSTRUCTION, INFORM THE UPDU THRU RFL FOR INFORMATION AND RFA (FOR MATERIAL APPROVAL) BEFORE PROCUREMENT AND INSTALLATION OF CERTAIN ITEMS AND MATERIALS.
 4. FOR ANY CONFLICT BETWEEN ARCHITECTURAL PLANS AND OTHER UTILITIES, INFORM THE UPDU DESIGN ARCHITECT AND/OR ENGINEERS TO RESOLVE DESIGN ISSUE.



REPUBLIC OF THE PHILIPPINES
UNIVERSITY OF SCIENCE AND TECHNOLOGY OF SOUTHERN PHILIPPINES
CAGAYAN DE ORO CAMPUS
INFRASTRUCTURE PLANNING AND FACILITY DEVELOPMENT UNIT
CLARO M. RECTO AVENUE, LAPASAN, CAGAYAN DE ORO CITY 9000
TELEPHONE # (0822) 72-60-65 / (086) 856-1738 / 856-1739 | TELE FAX (086) 856-4696
WEBSITE: www.ustp.edu.ph

PROFESSIONAL MECHANICAL ENGINEER

PROJECT
LOCATION
OWNER

PROPOSED CONSTRUCTION OF SMART ACADEMIC BUILDING
PHASE 1, JASAAN CAMPUS
USTP JASAAN CAMPUS, MISAMIS ORIENTAL
UNIVERSITY OF SCIENCE AND TECHNOLOGY OF SOUTHERN PHILIPPINES

RECOMMENDING APPROVAL:

ENGR. GRACE C. BABA

DIRECTOR, INFRASTRUCTURE PLANNING & FACILITIES DEVELOPMENT OFFICE

RECOMMENDING APPROVAL:

ATTY. ERWIN B. BUCIO

VP FOR ADMINISTRATION & LEGAL AFFAIRS

APPROVED BY:

DR. AMBRASIO B. CULTURA II

PRESIDENT, USTP SYSTEM

SHEET CONTENTS:
THIRD FLOOR PLAN
FOURTH FLOOR PLAN

DRAWN BY:

DATE DRAWN:
10.01.2025

FNT:

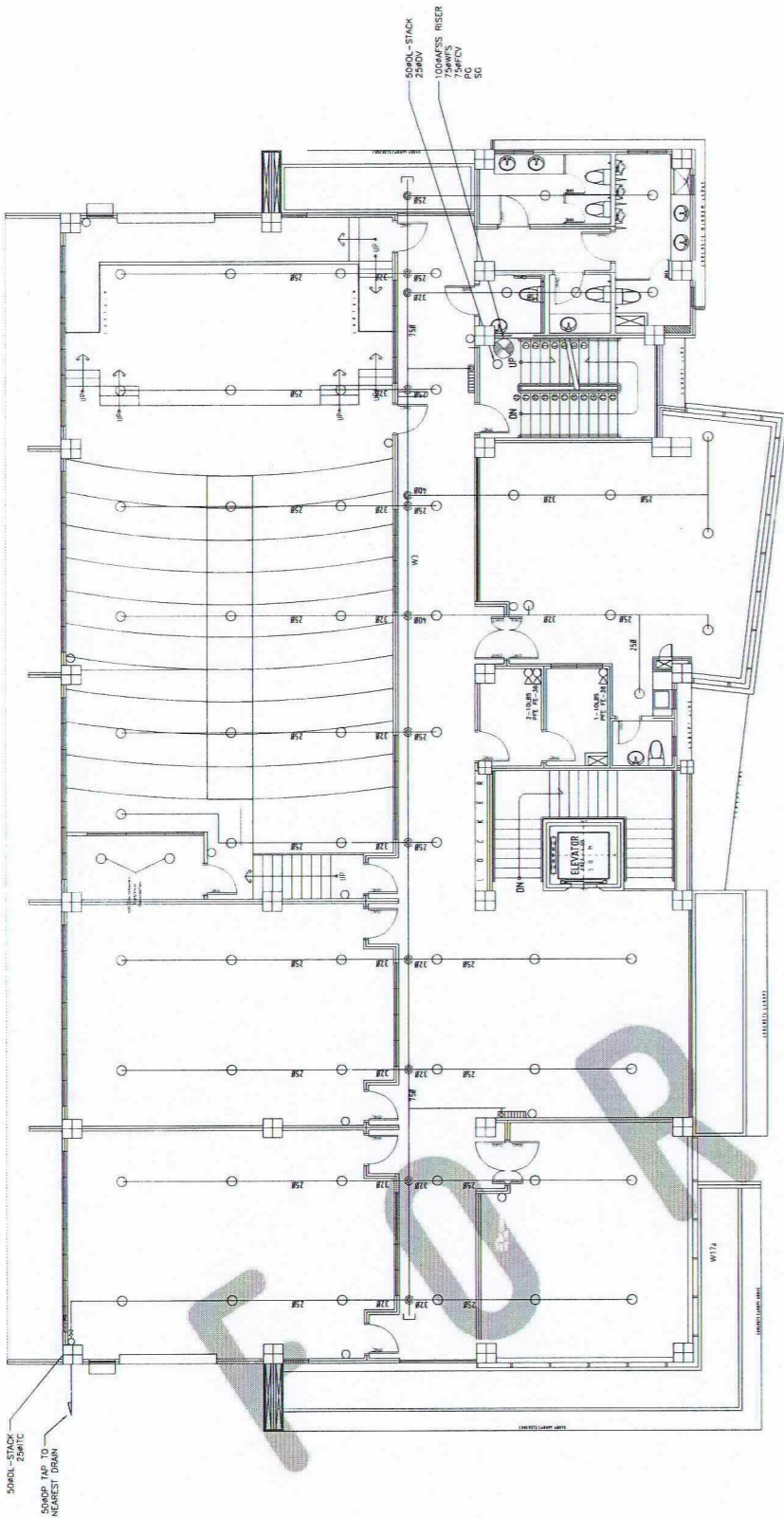
FP2

GENERAL NOTES:

1. FFL = FINISH FLOOR LINE. VERIFY FLOOR FINISHES/MATERIALS.
2. ALL INTERIOR PARTITIONS AND FURNITURE LAYOUT ARE INDICATIVE ONLY AND MAY CHANGE. VERIFY INTERIOR DESIGN DRAWINGS.
3. ALL LANDSCAPE ARCHITECTURE ELEMENTS ARE INDICATIVE ONLY AND MAY CHANGE. VERIFY LANDSCAPE ARCHITECTURE DRAWINGS.
4. DO NOT SCALE DRAWINGS. WRITTEN DIMENSIONS TO GOVERN.
5. IN CASE OF DISCREPANCY IN THE FIGURES AND DRAWINGS THE MATTER SHALL BE SUBMITTED IMMEDIATELY TO THE ARCHITECT BEFORE ADJUSTMENTS ARE TO BE MADE.
6. VERIFY ACTUAL TECHNICAL SITE CONDITIONS.
7. VERIFY ACTUAL ELEVATION MARKS AND LOT BOUNDARIES PRIOR TO COMMENCING WORK.
8. ALL WORKS HEREON SHALL BE DONE UNDER THE STRICT SUPERVISION OF BUILT LICENSED AND EXPERIENCED ARCHITECT/ENGINEER.
9. LOT AND BUILDING BOUNDARIES SHOULD BE SUPPORTED BY RETAINING WALLS AND FENCES. VERIFY EXISTING HEIGHTS, ELEVATIONS AND OTHER SITE CONDITIONS.
10. THE GENERAL CONTRACTOR, SUB-CONTRACTORS INCLUDING SPECIALTY CONTRACTORS, SHALL SUBMIT PROPER SHOP DRAWINGS INCLUDING MATERIALS SAMPLE PRIOR TO INSTALLATIONS FOR ARCHITECT'S APPROVAL.

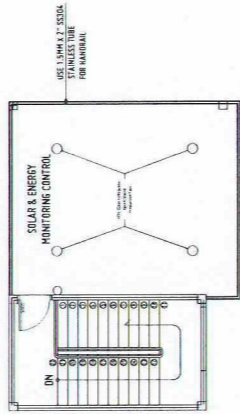
IMPORTANT NOTES:

1. CHECK AND VERIFY ACTUAL SITE CONDITION BEFORE CONSTRUCTION.
2. CHECK AND REVIEW PLANS, AND IF THERE ARE CONFLICTS BETWEEN DRAWINGS, BIDDING AND TECHNICAL SPECIFICATIONS, NOTIFY THE IPEDU THRU RFL BEFORE PROCUREMENT AND INSTALLATION OF CERTAIN ITEMS AND MATERIALS.
3. BEFORE INSTALLATION OF MATERIALS, ESPECIALLY ARCHITECTURAL FINISHES OR MATERIALS THAT WILL GREATLY AFFECT THE CONSTRUCTION, NOTIFY THE IPEDU THRU RFL FOR INFORMATION AND RFL FOR MATERIAL APPROVAL BEFORE PROCUREMENT AND INSTALLATION OF CERTAIN ITEMS AND MATERIALS.
4. FOR ANY CONFLICT BETWEEN ARCHITECTURAL PLANS AND OTHER UTILITIES, NOTIFY THE IPEDU DESIGN ARCHITECT AND/OR ENGINEERS TO RESOLVE DESIGN ISSUE.



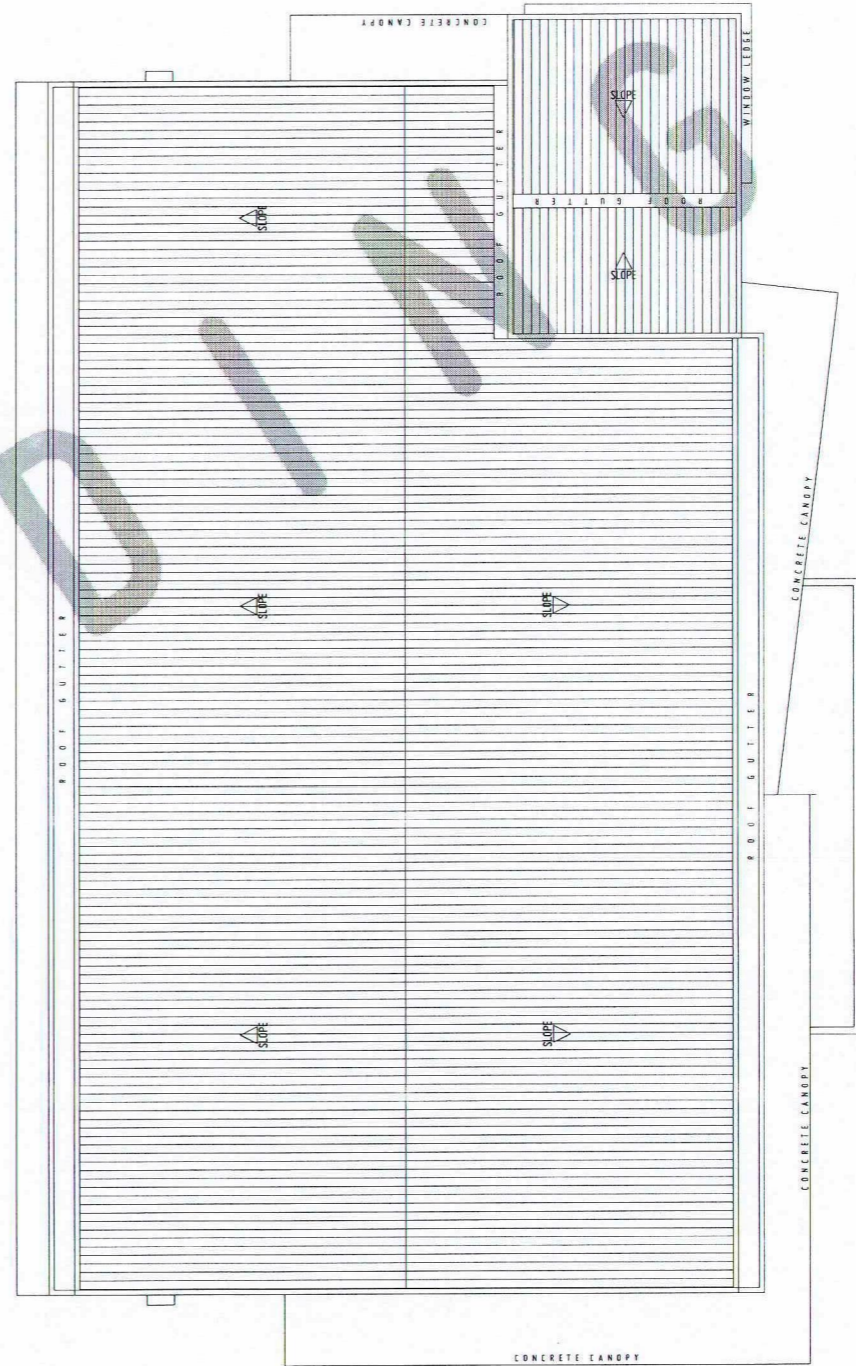
FIFTH FLOOR PLAN
SCALE: 1:100 MTS

FP 3 1



ROOF DECK PLAN
SCALE: 1:100 MTS

FP 3 2



ROOF PLAN
SCALE: 1:100 MTS

FP 3 3



REPUBLIC OF THE PHILIPPINES
UNIVERSITY OF SCIENCE AND TECHNOLOGY OF SOUTHERN PHILIPPINES
CAGAYAN DE ORO CAMPUS
INFRASTRUCTURE PLANNING AND FACILITY DEVELOPMENT UNIT
CLARO M. RECTO AVENUE, LAPASAN, CAGAYAN DE ORO CITY 9000
TELEPHONE # (08222) 72-60-65 / (080) 856-1738 / 856-1739 | TELE FAX (080) 856-4896
WEBSITE: www.ustp.edu.ph

PROFESSIONAL MECHANICAL ENGINEER

PROJECT
LOCATION
OWNER

PROPOSED CONSTRUCTION OF SMART ACADEMIC BUILDING
PHASE 1, JASAAN CAMPUS
USTP JASAAN CAMPUS, MISAMIS ORIENTAL
UNIVERSITY OF SCIENCE AND TECHNOLOGY OF SOUTHERN PHILIPPINES

RECOMMENDING APPROVAL:

ENGR. GRACE C. BABA

DIRECTOR, INFRASTRUCTURE PLANNING & FACILITIES DEVELOPMENT OFFICE

RECOMMENDING APPROVAL:

ATTY. ERWIN B. BUCIO

VP FOR ADMINISTRATION & LEGAL AFFAIRS

APPROVED BY:

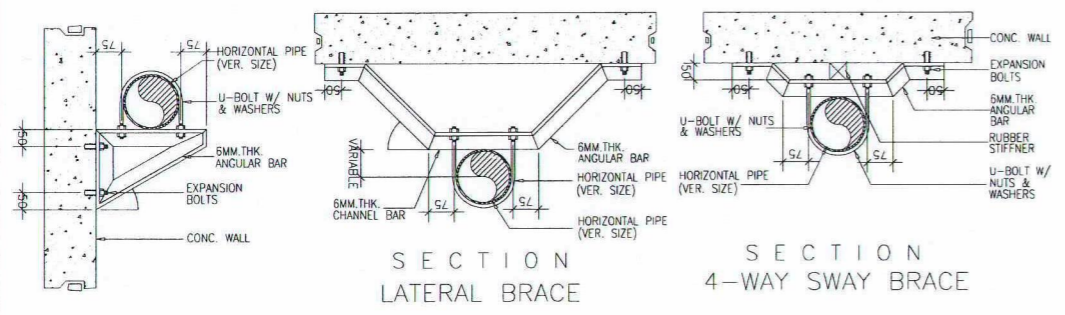
DR. AMBRASIO B. CULTURA II

PRESIDENT, USTP SYSTEM

SHEET CONTENTS:
FIFTH FLOOR PLAN
ROOF DECK
ROOF PLAN

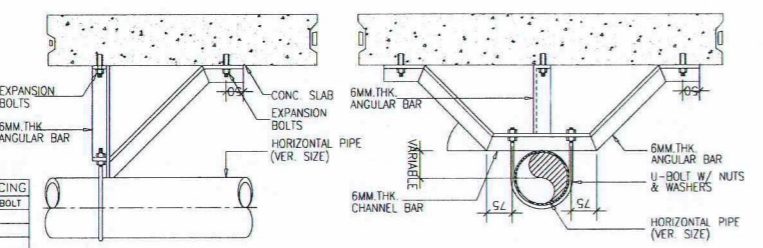
DRAWN BY:
DATE DRAWN:
10.01.2025
FNT:

FP3



SECTION LATERAL BRACE
SECTION 4-WAY SWAY BRACE

ELEVATION PIPE BRACKET

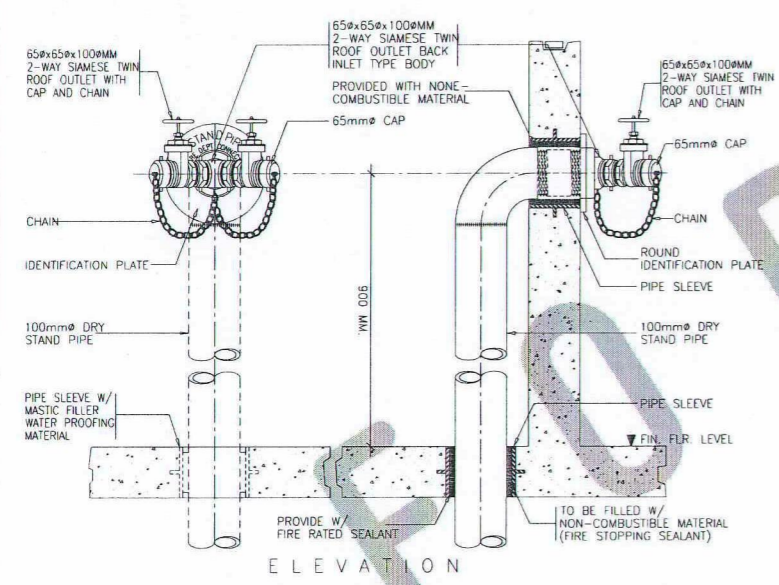


ELEVATION SECTION
LONGITUDINAL BRACE

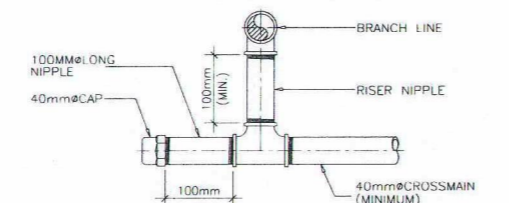
SCHEDULE OF PIPE BRACKET/BRACING

PIPE SIZE	U-BOLT DIA	ANGLE BAR	EXPANSION BOLT
50	10	50 x 50	10
65	10	50 x 50	10
75	10	50 x 50	10
100	12	65 x 65	12

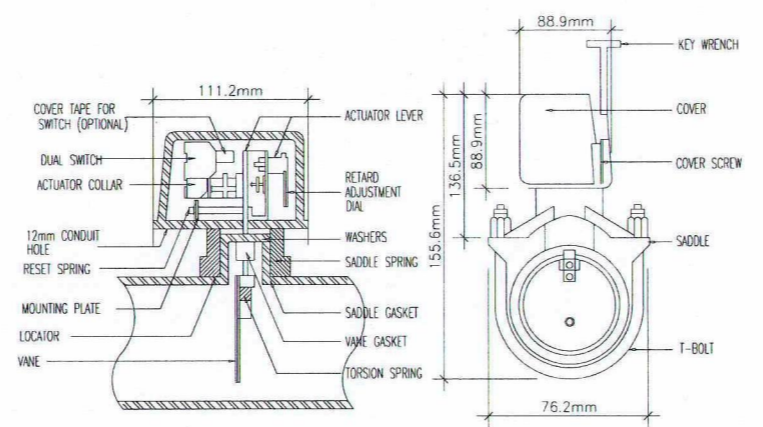
FP 4 1
SWAY BRACING DETAIL
SCALE: 1:10 MTS



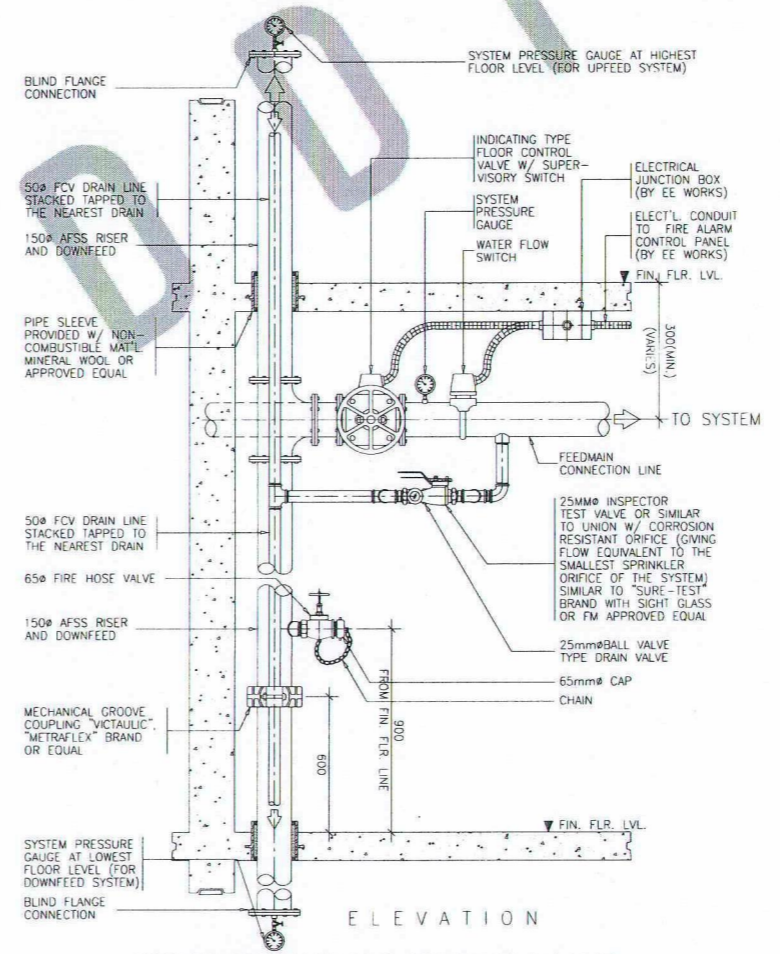
FP 4 4
SIAMESE TWIN ROOF OUTLET DETAIL
SCALE: 1:10 MTS



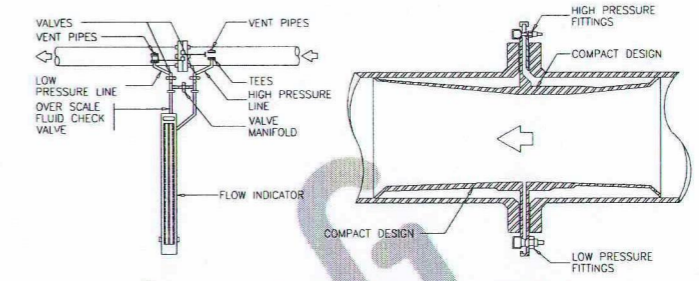
FP 4 5
FLUSHING CONNECTION DETAIL
SCALE: 1:5 MTS



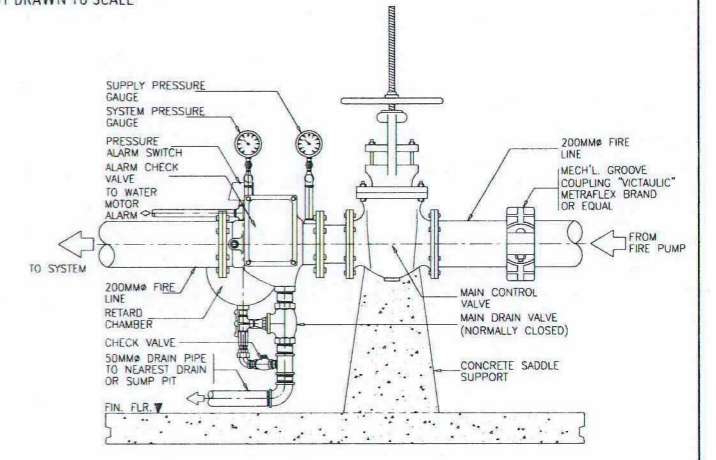
FP 4 2
WATER FLOW SWITCH DETAIL
SCALE: 1:10 MTS



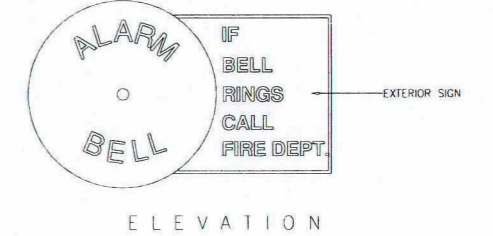
FP 4 6
SUPERVISORY FLOOR CONTROL VALVE ASSEMBLY & VALVE HOSE DETAIL
SCALE: 1:10 MTS



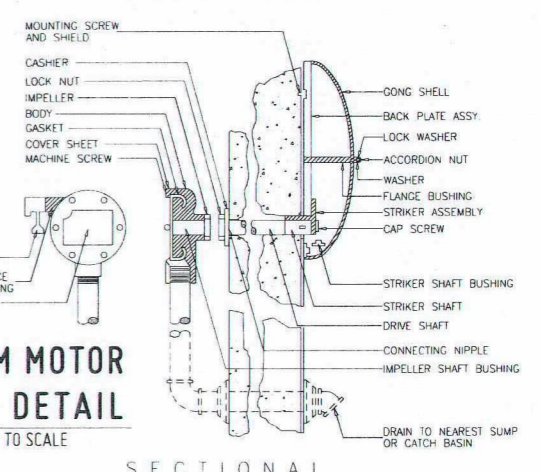
FP 4 3
FLOW MEASURING DEVICE DETAIL
NOT DRAWN TO SCALE



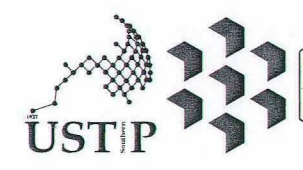
FP 4 7
ALARM CHECK VALVE ASSEMBLY (WET TYPE)
NOT DRAWN TO SCALE



FP 4 8
ALARM MOTOR GONG DETAIL
NOT DRAWN TO SCALE



SECTIONAL



REPUBLIC OF THE PHILIPPINES
UNIVERSITY OF SCIENCE AND TECHNOLOGY OF SOUTHERN PHILIPPINES
CAGAYAN DE ORO CAMPUS
INFRASTRUCTURE PLANNING AND FACILITY DEVELOPMENT UNIT
CLARO M. RECTO AVENUE, LAPASAN, CAGAYAN DE ORO CITY 9000
TELEPHONE: (08822) 72-60-65 / (088) 856-1738 / 856-1739 | TELEFAX: (088) 856-4956
WEBSITE: www.ustp.edu.ph

PROFESSIONAL MECHANICAL ENGINEER	PROJECT	PROPOSED CONSTRUCTION OF SMART ACADEMIC BUILDING PHASE 1, JASAAAN CAMPUS
	LOCATION	USTP JASAAAN CAMPUS, MISAMIS ORIENTAL
	OWNER	UNIVERSITY OF SCIENCE AND TECHNOLOGY OF SOUTHERN PHILIPPINES

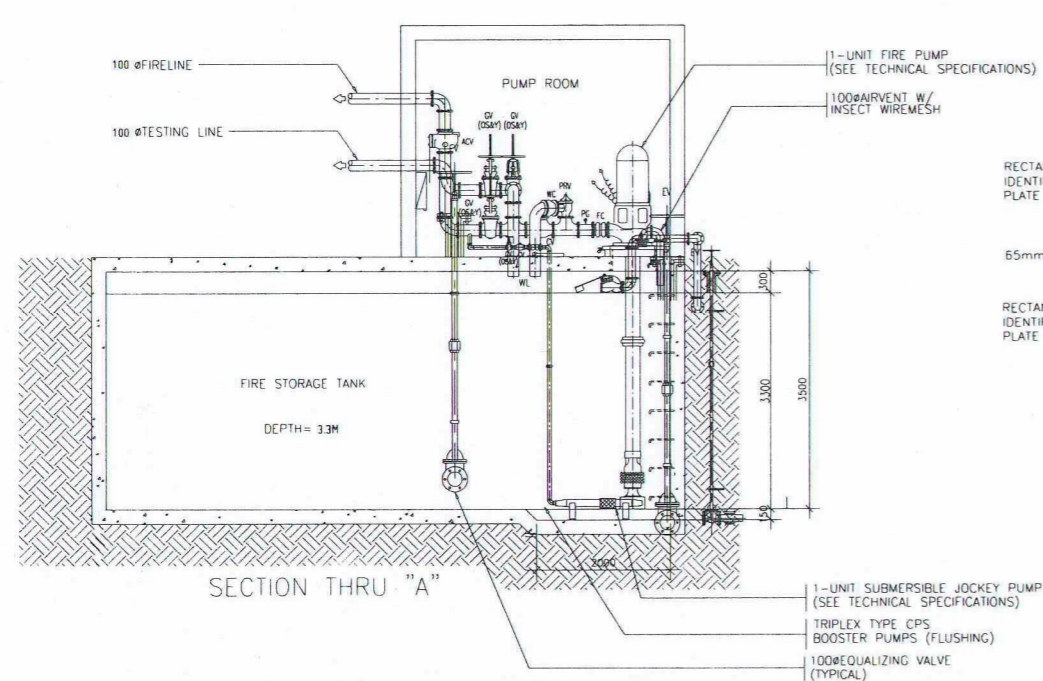
RECOMMENDING APPROVAL:
ENGR. GRACE C. BABA
DIRECTOR, INFRASTRUCTURE PLANNING & FACILITIES DEVELOPMENT OFFICE

RECOMMENDING APPROVAL:
ATTY. ERWIN B. BUCIO
VP FOR ADMINISTRATION & LEGAL AFFAIRS

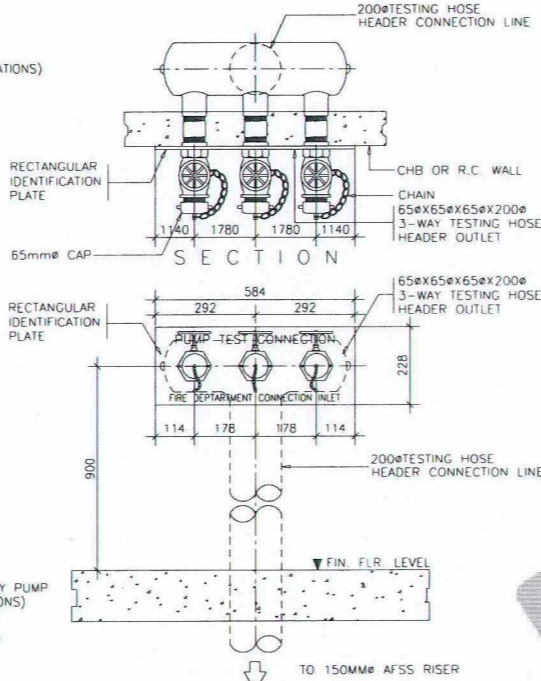
APPROVED BY:
DR. AMBROSIO B. CULTURA II
PRESIDENT, USTP-SYSTEM

SHEET CONTENTS:	DRAWN BY:
FLOW MEASURING DEVICE DETAIL ALARM CHECK VALVE ASSEMBLY (WET TYPE) ALARM MOTOR GONG DETAIL	DATE DRAWN: 10.01.2025
	PNT:

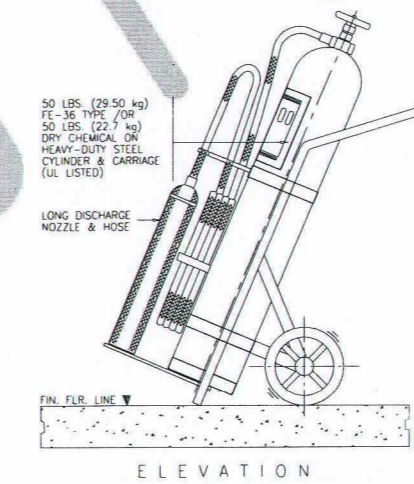
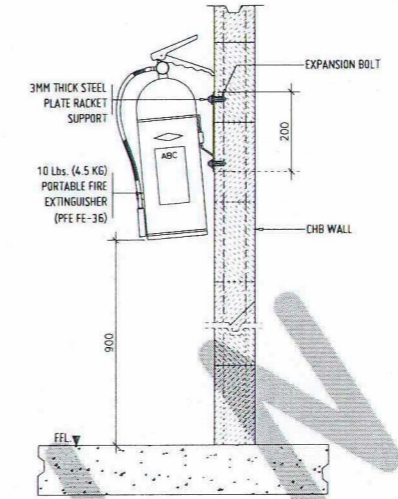
FP4



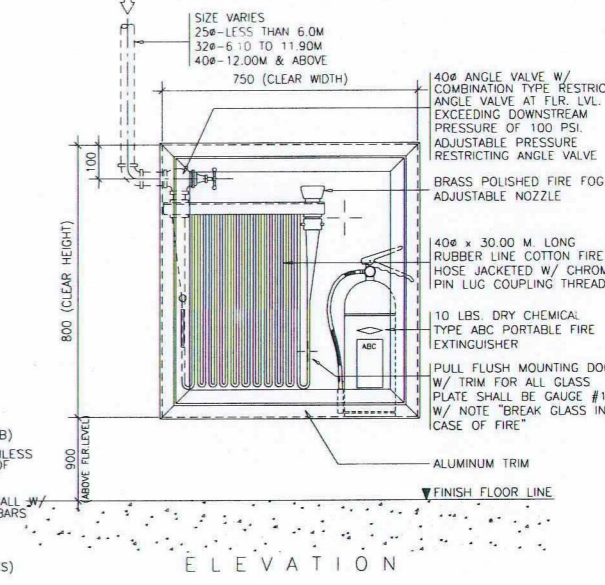
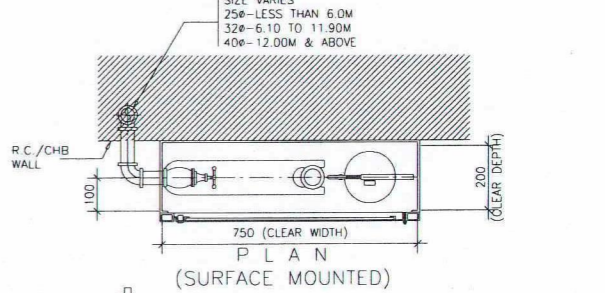
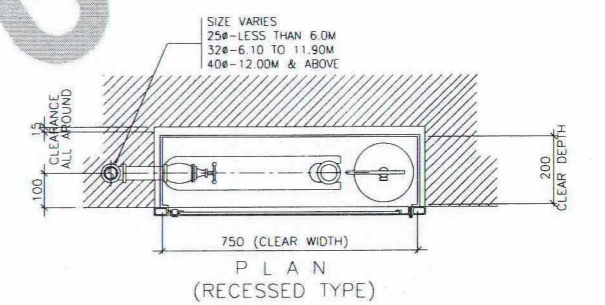
FP 5 1
FIRE STORAGE TANK DETAIL
SCALE: 1:50 MTS



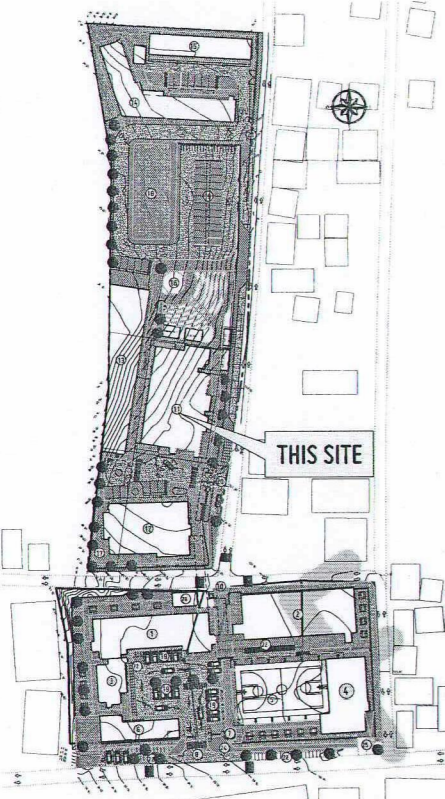
FP 5 2
PUMP TEST CONNECTION DETAIL
SCALE: 1:10 MTS



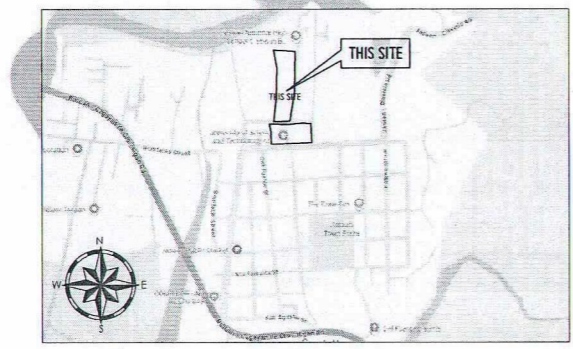
FP 5 4
10 lbs. (4.5kgs) PFE FE-36 PORTABLE FIRE EXTINGUISHER
NOT DRAWN TO SCALE



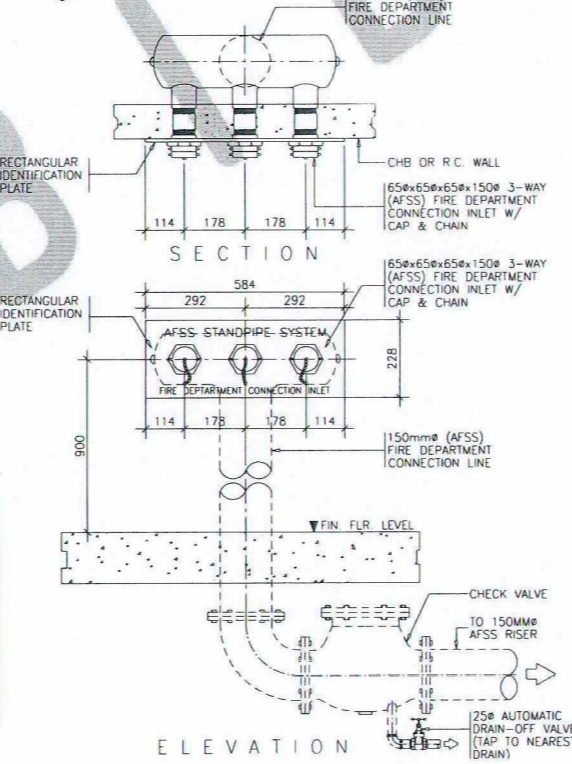
FP 5 8
FIRE HOSE CABINET DETAIL
NOT DRAWN TO SCALE



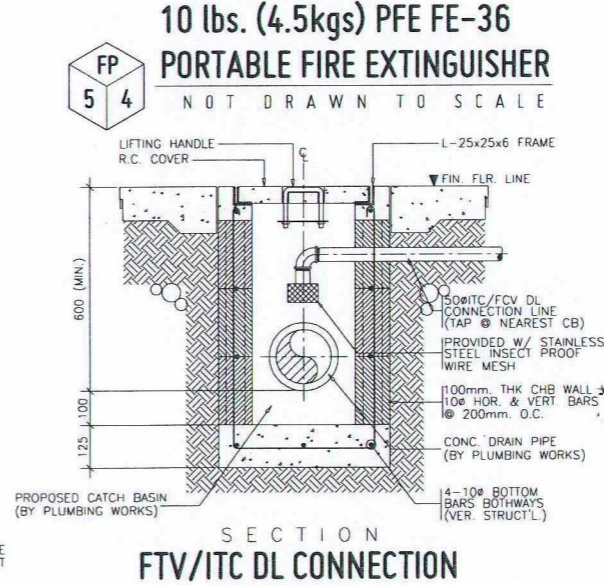
FP 5 5
LOCATION PLAN
SCALE: 1:2000 MTS



FP 5 3
VICINITY MAP
SCALE: NTS



FP 5 6
AFSS FIRE DEPT. INLET DETAIL
SCALE: 1:10 MTS



FP 5 7
FTV/ITC DL CONNECTION TO CATCH BASIN
SCALE: 1:10 MTS



REPUBLIC OF THE PHILIPPINES
UNIVERSITY OF SCIENCE AND TECHNOLOGY OF SOUTHERN PHILIPPINES
CAGAYAN DE ORO CAMPUS
INFRASTRUCTURE PLANNING AND FACILITY DEVELOPMENT UNIT
CLARIO M. RECTO AVENUE, LAPASAN, CAGAYAN DE ORO CITY 9000
TELEPHONE # (08822) 72-60-65 / (088) 856-1738 / 856-1739 | TELE FAX (088) 856-4696
WEBSITE: www.ustp.edu.ph

PROFESSIONAL MECHANICAL ENGINEER
PROJECT
LOCATION
OWNER

PROPOSED CONSTRUCTION OF SMART ACADEMIC BUILDING
PHASE 1, JASAAN CAMPUS
USTP JASAAN CAMPUS, MISAMIS ORIENTAL
UNIVERSITY OF SCIENCE AND TECHNOLOGY OF SOUTHERN PHILIPPINES

RECOMMENDING APPROVAL:
ENGR. GRACE C. BABA
DIRECTOR, INFRASTRUCTURE PLANNING & FACILITIES DEVELOPMENT OFFICE

RECOMMENDING APPROVAL:
ATTY. ERWIN B. BUCIO
VP FOR ADMINISTRATION & LEGAL AFFAIRS

APPROVED BY:
DR. AMBROSIO B. CULTURA II
PRESIDENT, USTP SYSTEM

SHEET CONTENTS:
FIRE STORAGE TANK DETAIL
VICINITY MAP & LOCATION PLAN
PUMP TEST CONNECTION DETAIL
AFSS FIRE DEPT. INLET DETAIL
10 lbs. (4.5kg) PFE FE-36 PORTABLE FIRE EXTINGUISHER
FTV/ITC DL CONNECTION TO CATCH BASIN
FIRE HOSE CABINET DETAIL

DRAWN BY:
DATE DRAWN:
10.01.2025
FNT:

FP5

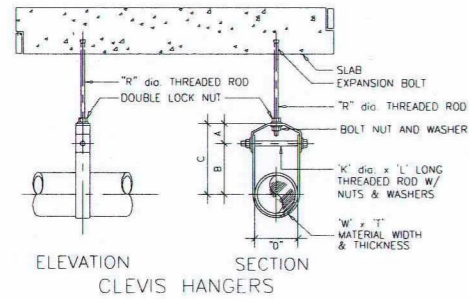
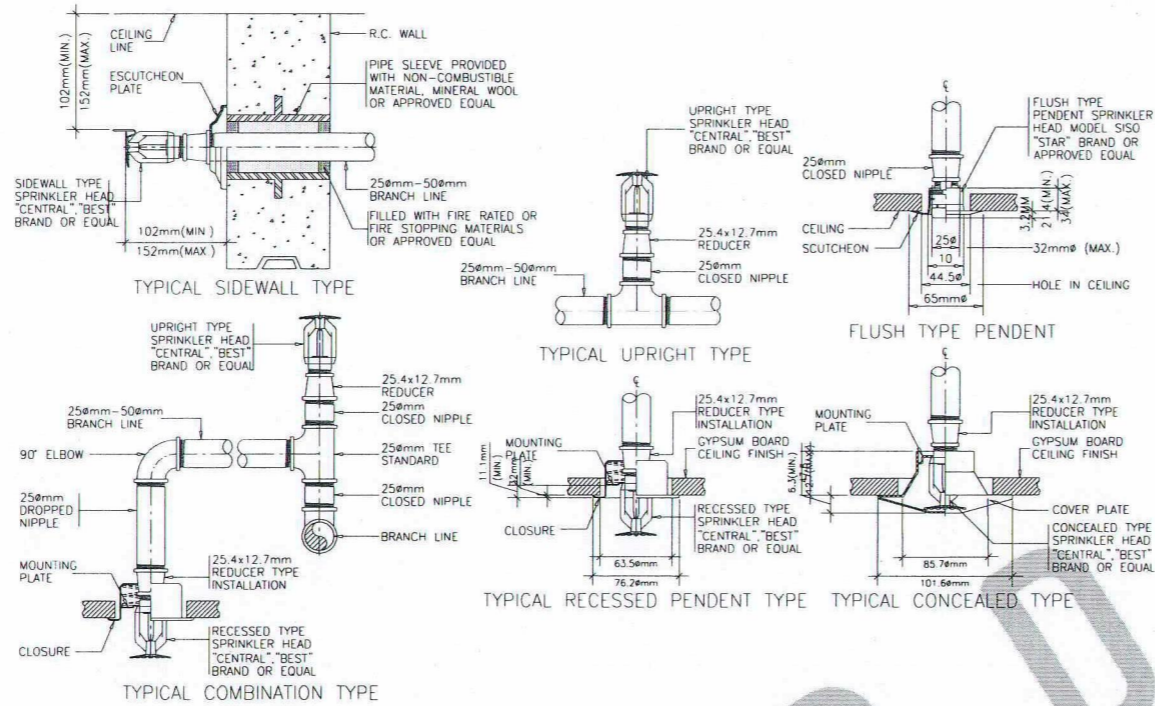


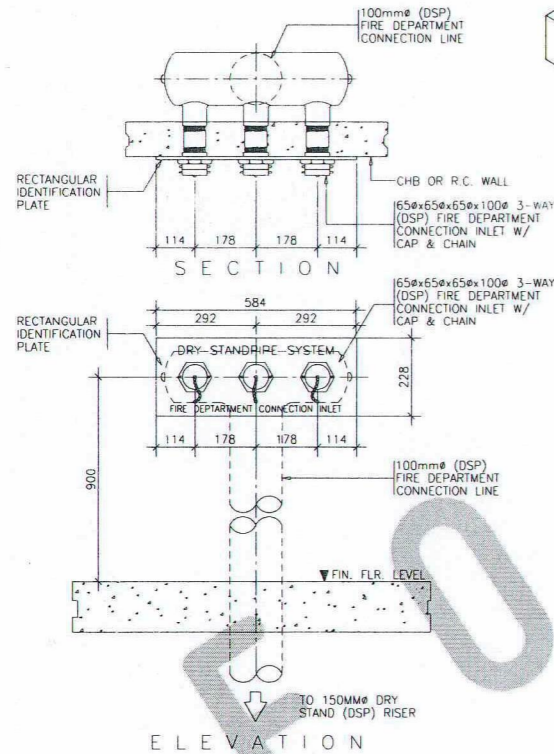
TABLE OF DIMENSIONS IN MM

PIPE SIZE "D" (MM)	ROD DIA "R" (MM)	B	C	A MAX.	W x T	K x L
50	9.65	111.12	143	69.30	25 x 3	M10 x 85
75	12.7	105.0	165.1	30.23	40 x 6	M12 x 115
100	15.9	133.35	40	33.27	40 x 6	M12 x 130
150	19.1	176.12	267	50.00	40 x 6	M16 x 190

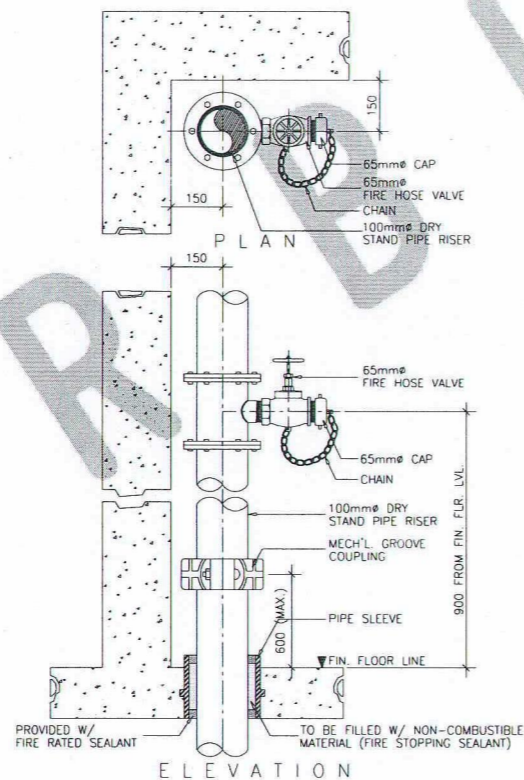
FP 6 1
PIPE HANGER DETAIL
NOT DRAWN TO SCALE



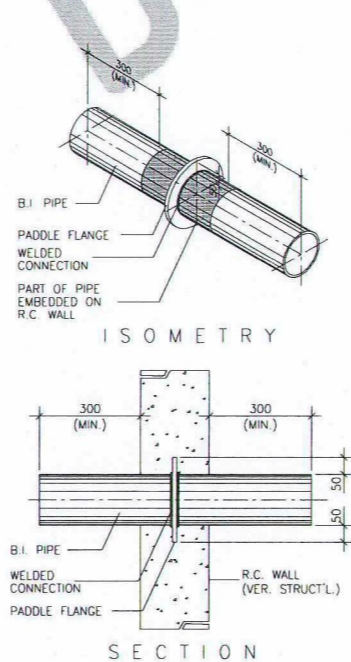
FP 6 2
SPRINKLER HEADS DETAIL
SCALE: 1:3 MTS



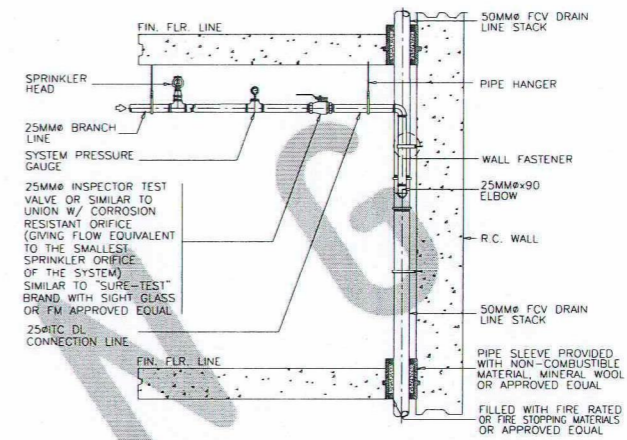
FP 6 4
DPSS FIRE DEPT. INLET DETAIL
SCALE: 1:10 MTS



FP 6 5
FIRE HOSE VALVE DETAIL
SCALE: 1:10 MTS



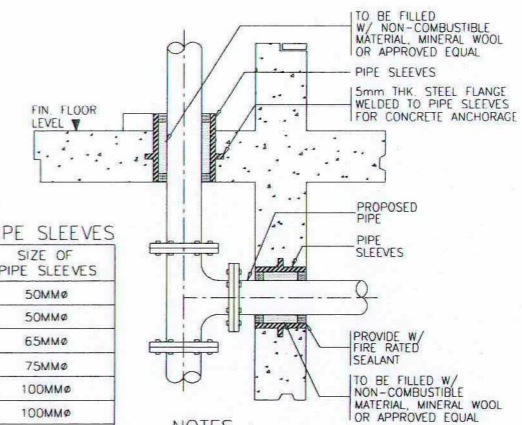
FP 6 6
PADLE FLANGE DETAIL
SCALE: 1:10 MTS



FP 6 3
INSPECTOR TEST CONNECTION DETAIL
NOT DRAWN TO SCALE

SCHEDULE OF PIPE SLEEVES

SIZE OF BRANCHLINES	SIZE OF PIPE SLEEVES
25MMØ	50MMØ
32MMØ	50MMØ
40MMØ	65MMØ
50MMØ	75MMØ
65MMØ	100MMØ
75MMØ	100MMØ
100MMØ	150MMØ
150MMØ	225MMØ
200MMØ	300MMØ



NOTES:
SLEEVES SHALL BE PROVIDED AROUND ALL PIPING EXTENDING THROUGH WALLS, FLOORS, PLATFORMS AND FOUNDATIONS.
1. THE CLEARANCE BETWEEN THE PIPE SLEEVES SHALL BE FILLED W/NON-COMBUSTIBLE FLEXIBLE MATERIAL SUCH AS MINERAL WOOL, FIBERGLASS OR EQUIVALENT.
2. MINIMUM CLEARANCE BETWEEN PIPE AND SLEEVES SHALL NOT BE LESS THAN 25MM FOR PIPE 25MM THROUGH 75MM & 40MM FOR PIPE SIZE 100MM AND LARGER FLOOR SLEEVES SHALL BE EXTENDED AT LEAST 75MM ABOVE THE TOP OF THE WEARING SURFACE.

FP 6 7
PIPE SLEEVE DETAIL
NOT DRAWN TO SCALE



REPUBLIC OF THE PHILIPPINES
UNIVERSITY OF SCIENCE AND TECHNOLOGY OF SOUTHERN PHILIPPINES
CAGAYAN DE ORO CAMPUS
INFRASTRUCTURE PLANNING AND FACILITY DEVELOPMENT UNIT
CLARO H. RECTO AVENUE, LAPASAN, CAGAYAN DE ORO CITY 9000
TELEPHONE # (08822) 72-60-65 / (088) 856-1738 / 856-1739 | TELE FAX (088) 856-4696
WEBSITE: www.ustp.edu.ph

PROFESSIONAL MECHANICAL ENGINEER
PROJECT
LOCATION
OWNER

PROPOSED CONSTRUCTION OF SMART ACADEMIC BUILDING
PHASE 1, JASAAN CAMPUS
USTP JASAAN CAMPUS, MISAMIS ORIENTAL
UNIVERSITY OF SCIENCE AND TECHNOLOGY OF SOUTHERN PHILIPPINES

RECOMMENDING APPROVAL:
ENGR. GRACE C. BABA
DIRECTOR, INFRASTRUCTURE PLANNING & FACILITIES DEVELOPMENT OFFICE

RECOMMENDING APPROVAL:
ATTY. ERWIN B. BUCIO
VP FOR ADMINISTRATION & LEGAL AFFAIRS

APPROVED BY:
DR. AMBROSIO B. CULTURA II
PRESIDENT, USTP SYSTEM

SHEET CONTENTS:
PIPE HANGER DETAIL
SPRINKLER HEADS DETAIL
DPSS FIRE DEPT. INLET DETAIL
FIRE HOSE VALVE DETAIL
PADLE FLANGE DETAIL
INSPECTOR TEST CONNECTION DETAIL
PIPE SLEEVE DETAIL

DRAWN BY:
DATE DRAWN:
10.01.2025
ENT:

FP6