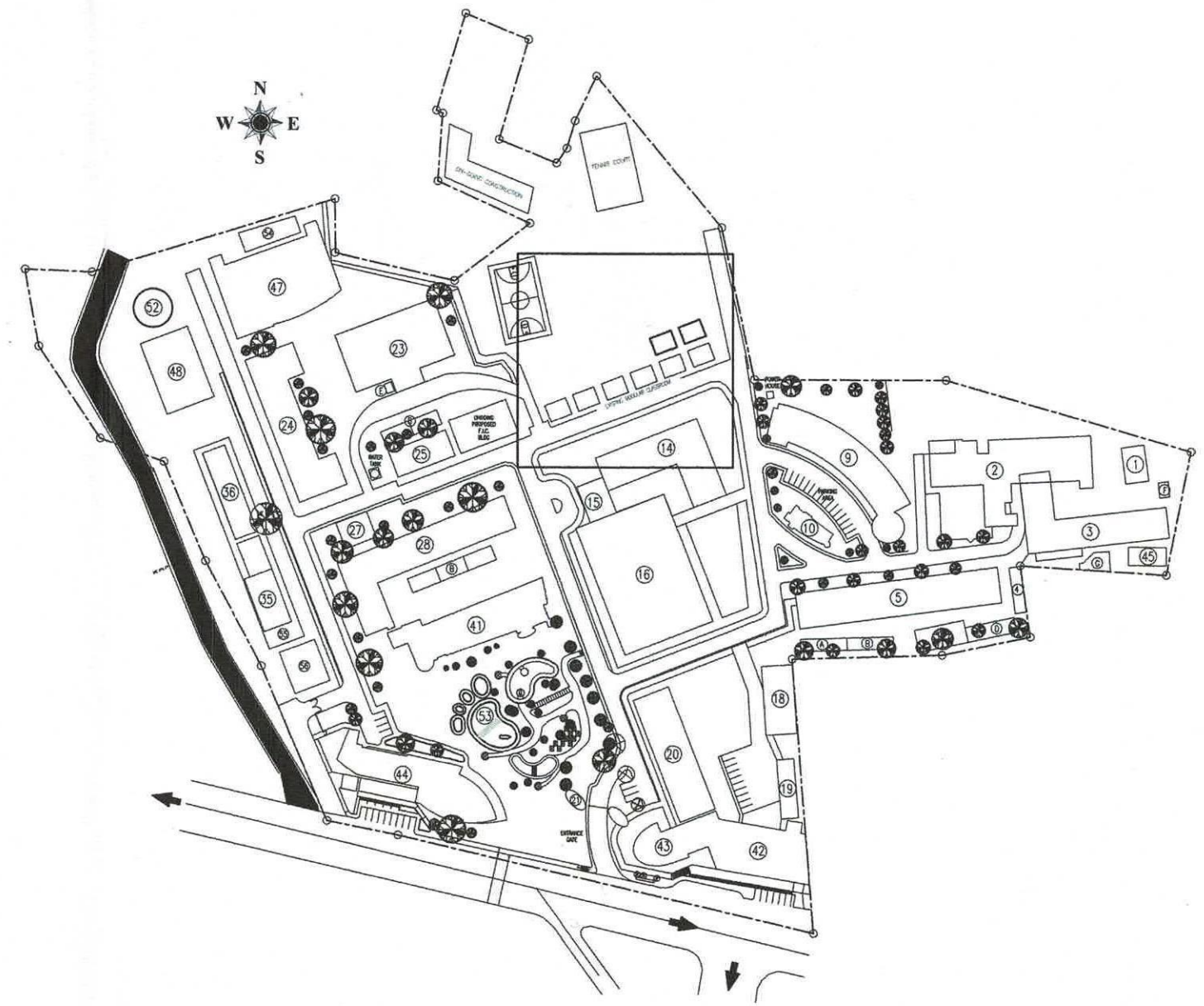


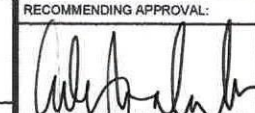

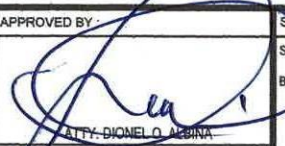
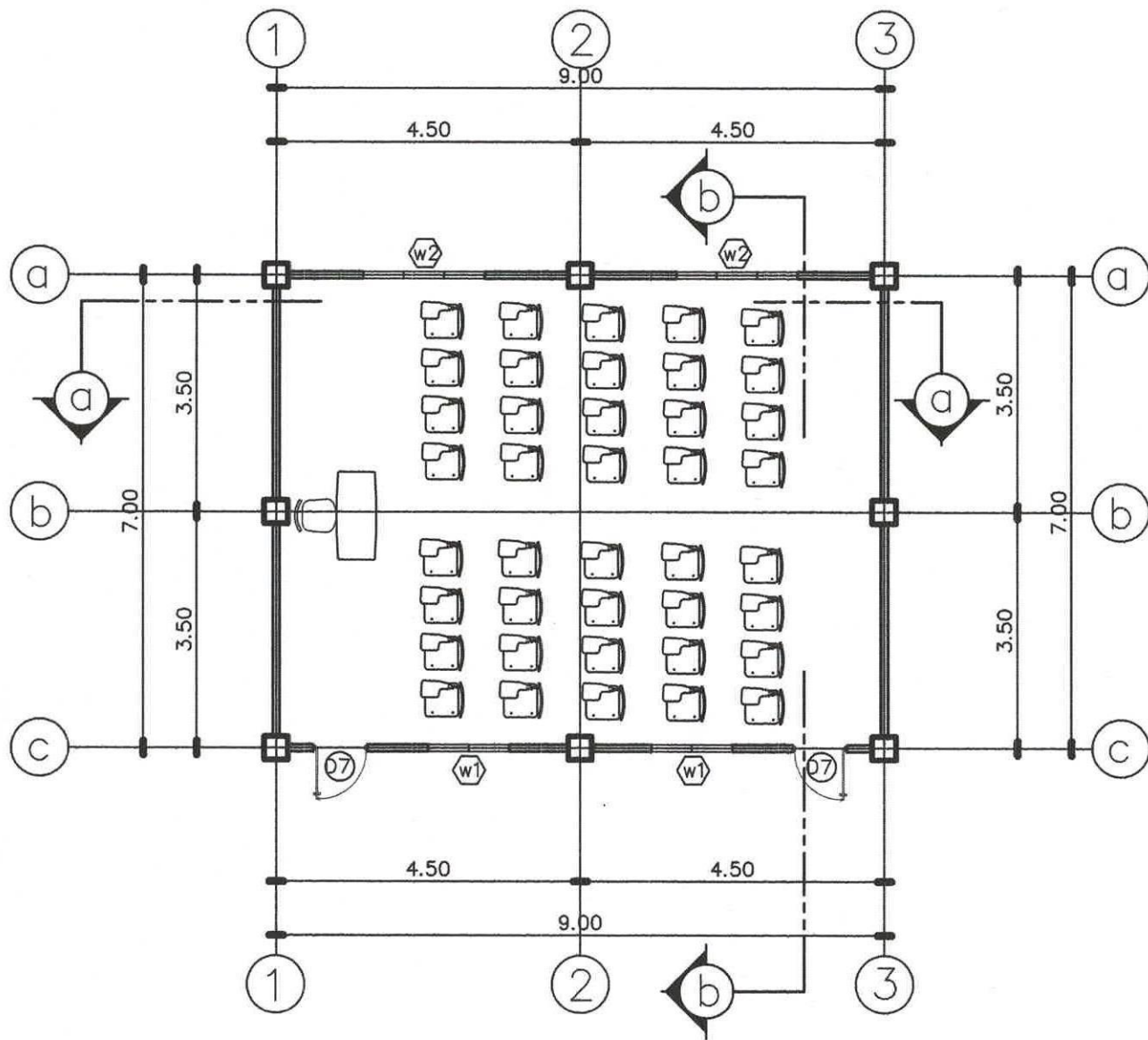



BLOW-UP PLAN
 SCALE: 1:500 MTS

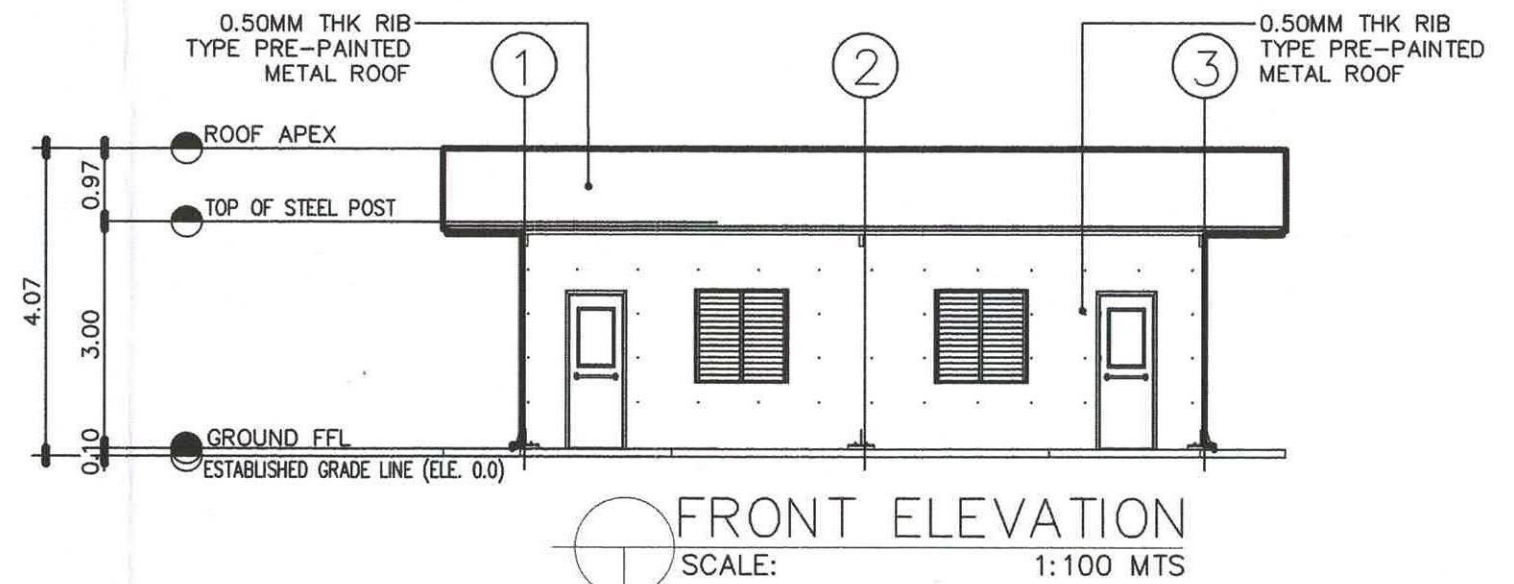



SITE DEVELOPMENT PLAN
 SCALE: 1:2500 MTS

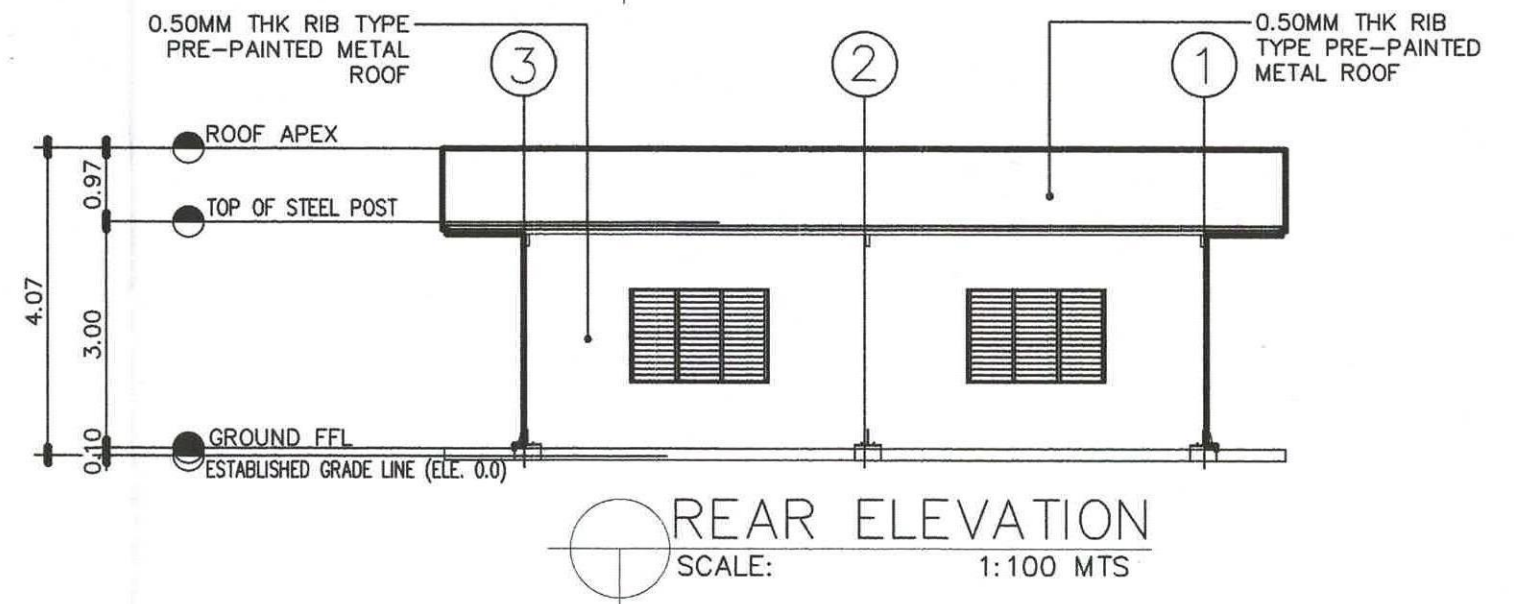
 REPUBLIC OF THE PHILIPPINES UNIVERSITY OF SCIENCE & TECHNOLOGY OF SOUTHERN PHILIPPINES CAGAYAN DE ORO CITY 9000 <small>C.M. RECTO AVENUE, LAPASAN 9000 CAGAYAN DE ORO CITY TEL. Nos. (08822) 72-60-65 / (088) 856-1738 / 856-1739 TELE FAX (088) 856-4696 WEB SITE : WWW.USTIP.EDU.PH</small>	PREPARED BY :  ENGR. JEANLOVE M. MAGU LONGAKIT <small>CONTRACTOR</small>	PROJECT PROPOSED MODULAR CLASSROOMS	RECOMMENDING APPROVAL:  ENGR. EDEGM LLOYD S. BALBIS <small>DIRECTOR, AUXILIARY MANAGEMENT SERVICES</small>	RECOMMENDING APPROVAL:  ATTY. JONATHAN S. OCHE <small>VICE CHANCELLOR FOR FINANCE & ADMINISTRATION</small>	APPROVED BY :  ATTY. DIONEL O. MEDINA <small>CHANCELLOR, USTP-CDO</small>	SHEET CONTENTS: SITE DEVELOPMENT PLAN BLOW UP PLAN	DRAWN BY: DATE: 6/19/2024 CAD BY: B.J.S. Plot Date: 06-19-24 SCALE: VARIES	SHEET NO. <div style="border: 1px solid black; border-radius: 50%; width: 40px; height: 40px; display: flex; align-items: center; justify-content: center; margin: 0 auto;"> <div style="border: 1px solid black; border-radius: 50%; width: 20px; height: 20px; display: flex; align-items: center; justify-content: center;">A</div> <div style="margin: 0 5px;"> </div> <div style="border: 1px solid black; border-radius: 50%; width: 20px; height: 20px; display: flex; align-items: center; justify-content: center;">4</div> </div>
	PRC NO. : PTR NO. : TIN NO. :		LOCATION C.M. RECTO AVENUE, LAPASAN, CAGAYAN DE ORO CITY	OWNER UNIVERSITY OF SCIENCE & TECHNOLOGY OF SOUTHERN PHILIPPINES	SEAL	SCALE: VARIES		



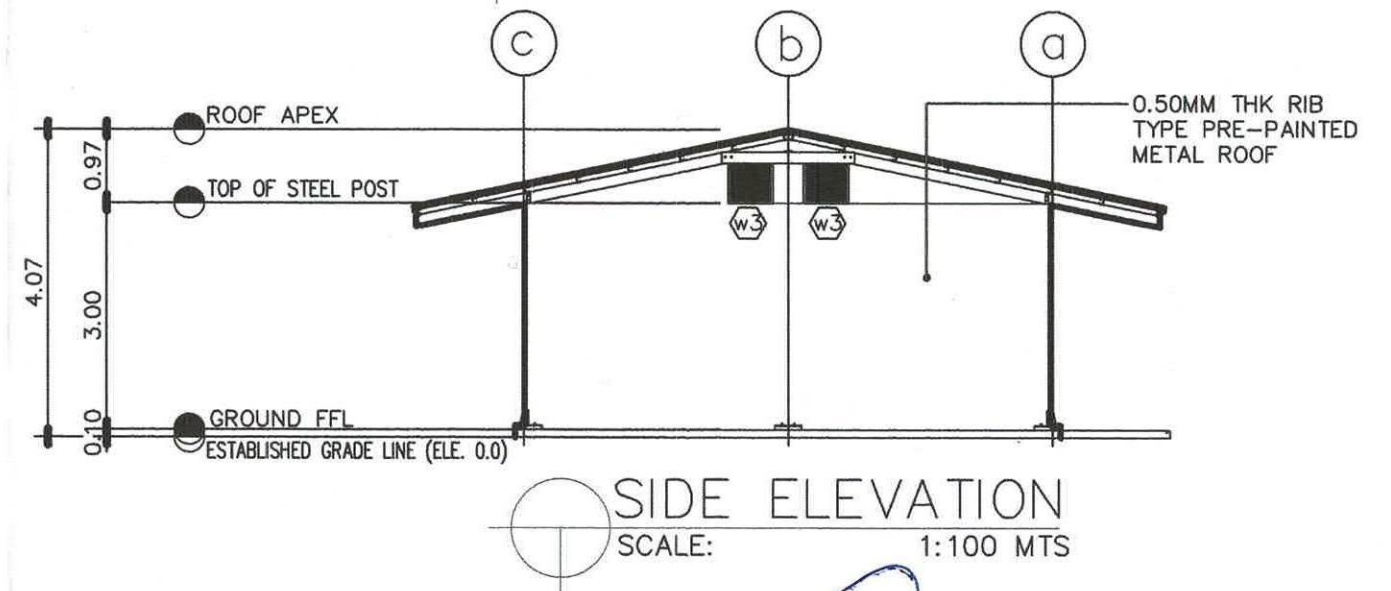
FLOOR PLAN
SCALE: 1:100 MTS



FRONT ELEVATION
SCALE: 1:100 MTS

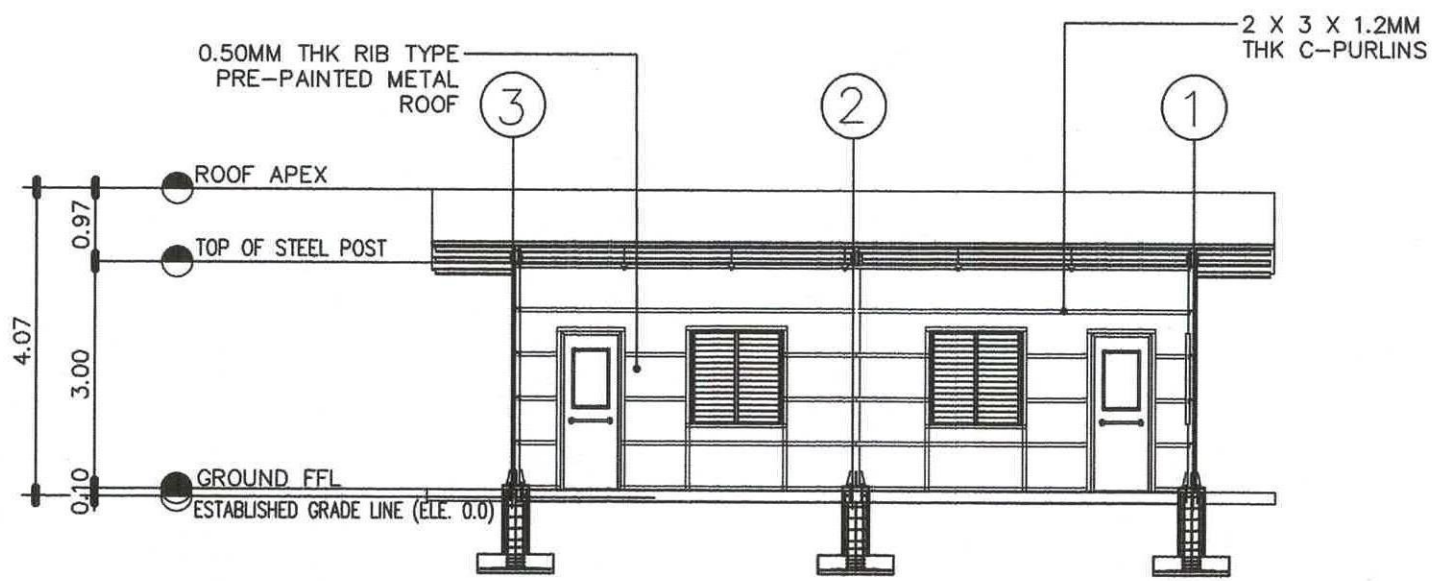


REAR ELEVATION
SCALE: 1:100 MTS

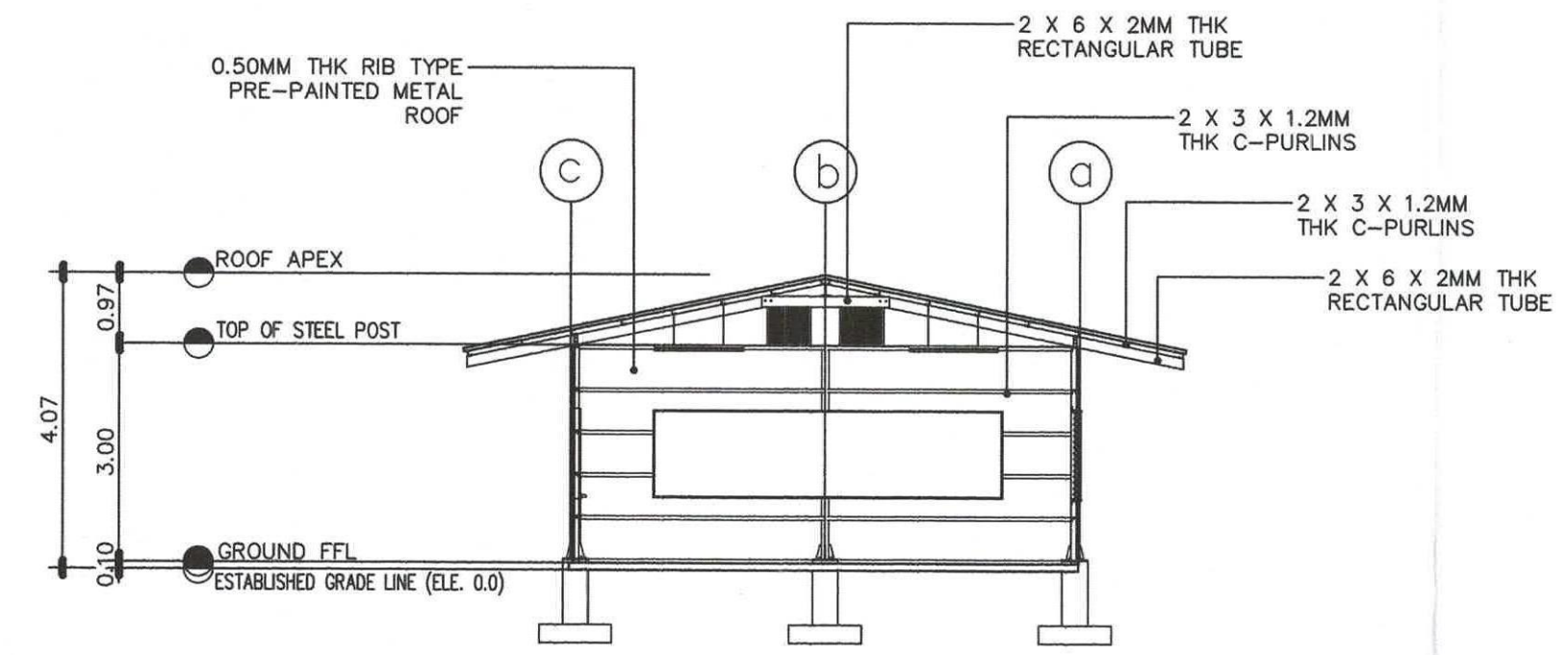


SIDE ELEVATION
SCALE: 1:100 MTS

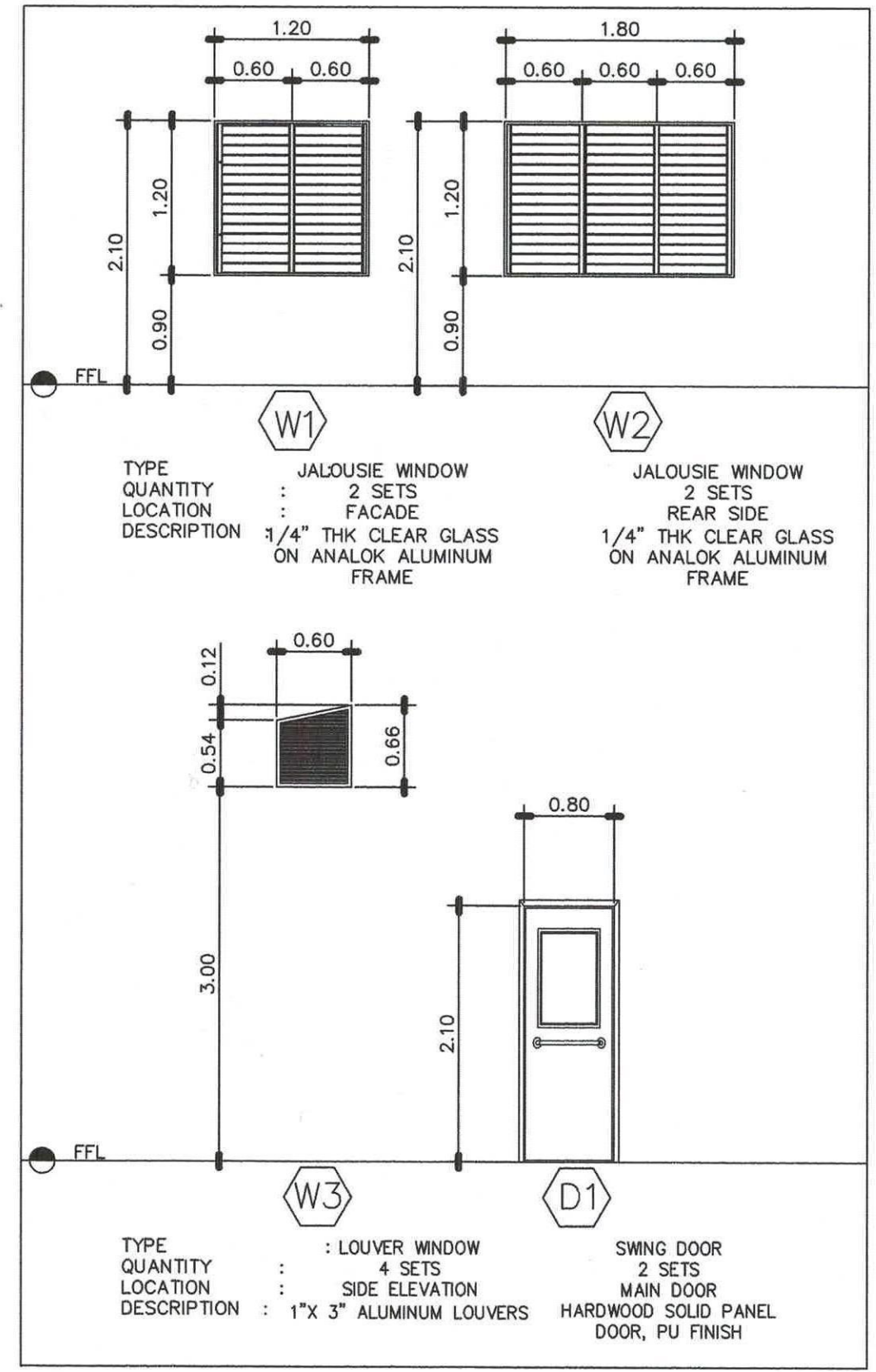
	REPUBLIC OF THE PHILIPPINES UNIVERSITY OF SCIENCE & TECHNOLOGY OF SOUTHERN PHILIPPINES CAGAYAN DE ORO CITY 9000	PREPARED BY: ENGR. JEANLOVE NAE MANGAKIT CBSMS ENGINEER	PROJECT: PROPOSED MODULAR CLASSROOMS	RECOMMENDING APPROVAL: 	RECOMMENDING APPROVAL: 	APPROVED BY: 	SHEET CONTENTS: FLOOR PLAN FRONT ELEVATION REAR ELEVATION SIDE ELEVATION	DRAWN BY: DATE: 10/19/2023 CAD BY: Plot Date: 10-19-23 SCALE: 1:100 MTS.	SHEET NO. A 2 / 4
	C.M. RECTO AVENUE, LAPASAN 9000 CAGAYAN DE ORO CITY TEL. Nos. (08822) 72-60-65 / (088) 856-1738 / 856-1739 TELE FAX (088) 856-4690 WEB SITE : WWW.USTP.EDU.PH	PRC NO. : PTR NO. : TIN NO. : DATE ISSUED :	LOCATION: C.M. RECTO AVENUE, LAPASAN, CAGAYAN DE ORO CITY OWNER: UNIVERSITY OF SCIENCE & TECHNOLOGY OF SOUTHERN PHILIPPINES	ENGR. EDEM LLOYD S. BALABIS DIRECTOR, LIBRARY MANAGEMENT SERVICES	ATTY. JONATHAN S. OCHE VICE CHANCELLOR FOR FINANCE & ADMINISTRATION	ATTY. DIONISIO C. ALBINA CHANCELLOR, USTP-CDO			



SECTION THRU "A-A"
SCALE: 1:100 MTS

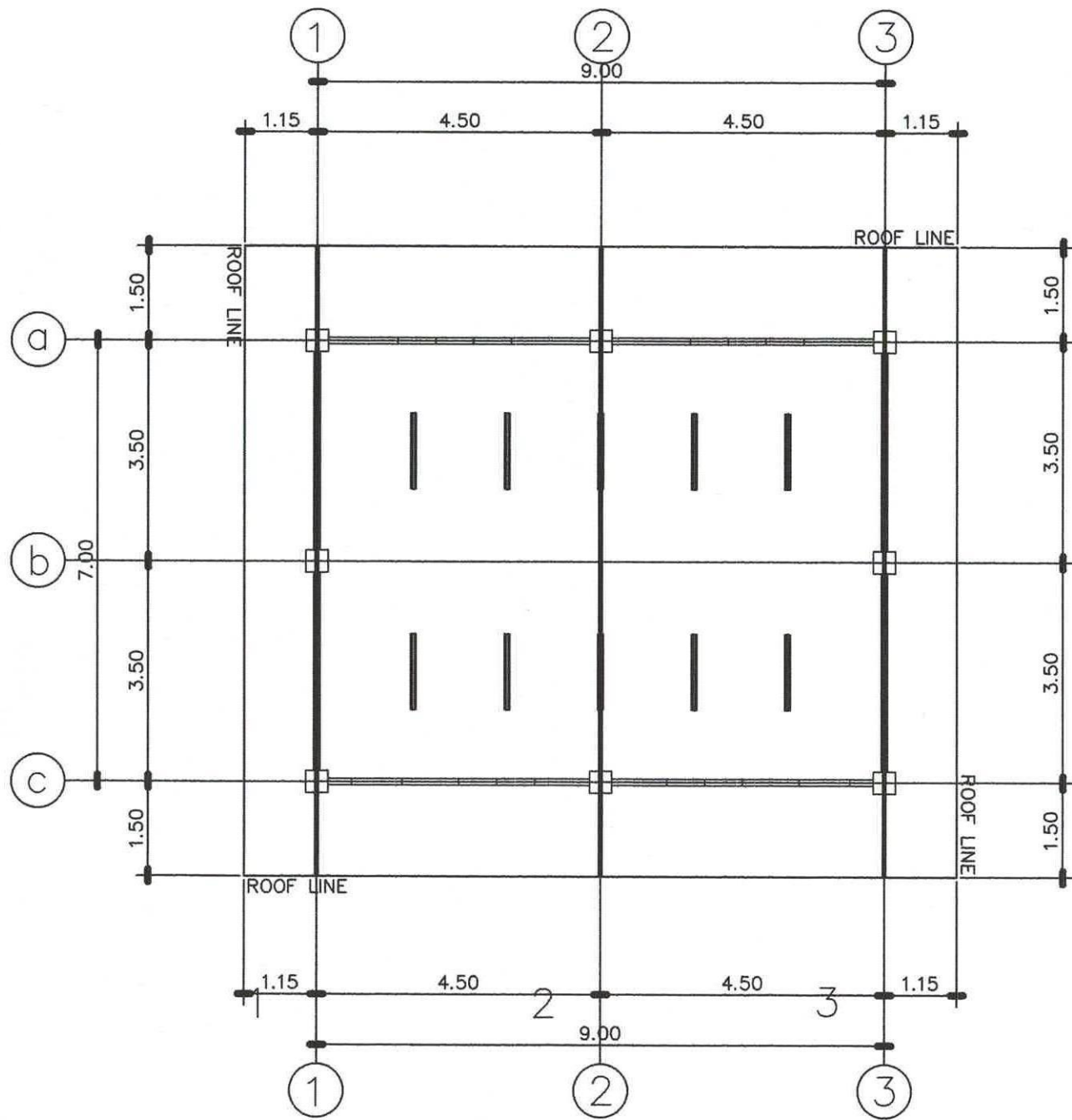


SECTION THRU "B-B"
SCALE: 1:100 MTS

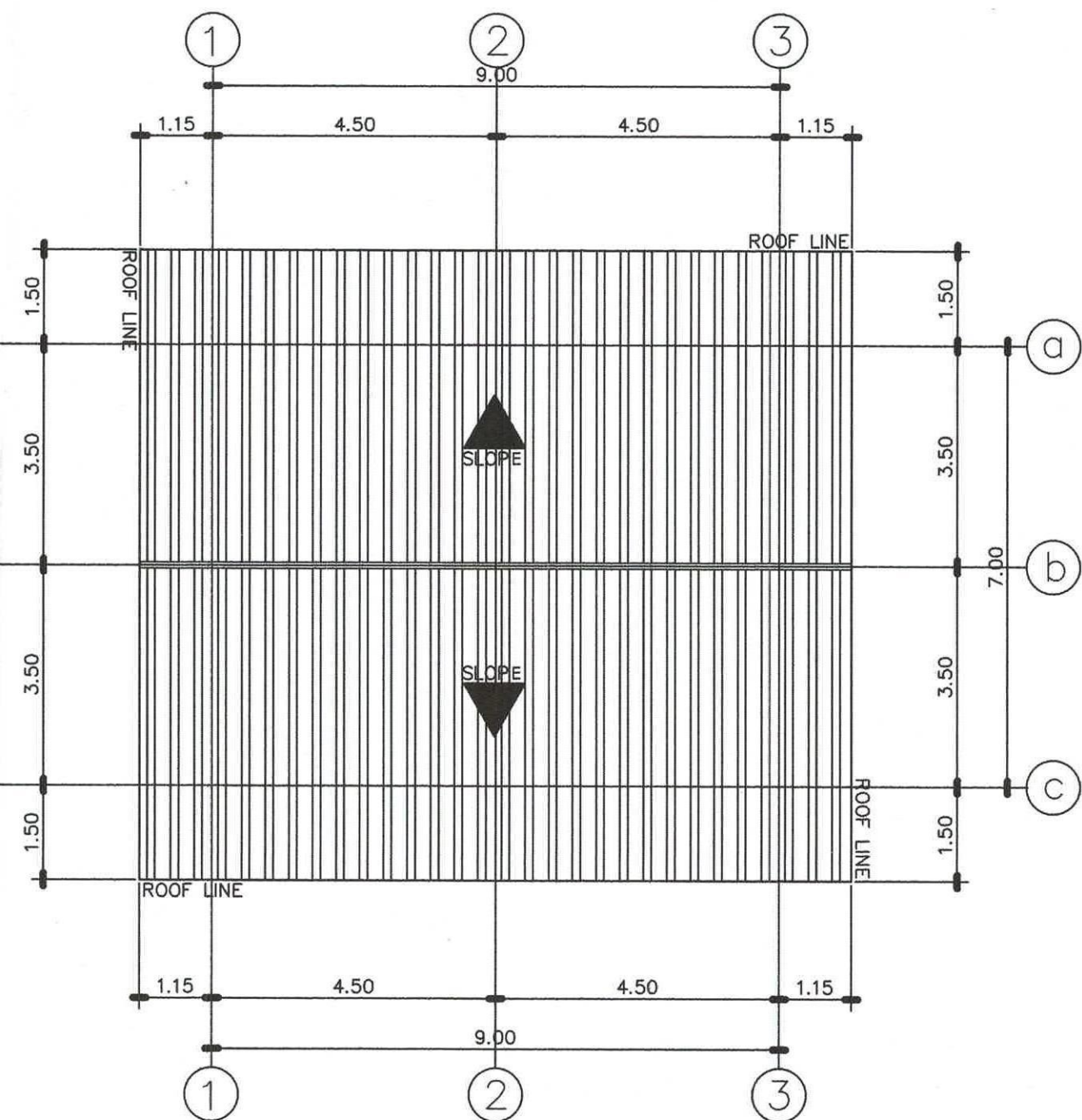


SCHEDULE DOORS AND WINDOWS
SCALE: 1:50 MTS


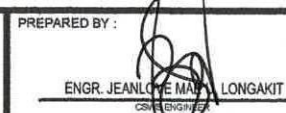
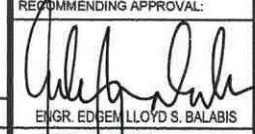

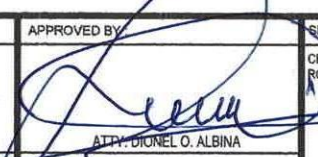
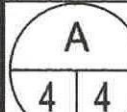
	REPUBLIC OF THE PHILIPPINES UNIVERSITY OF SCIENCE & TECHNOLOGY OF SOUTHERN PHILIPPINES CAGAYAN DE ORO CITY 9000	PREPARED BY: ENGR. JEANLOVE MAE P. LONGAKIT	PROJECT: PROPOSED MODULAR CLASSROOMS	RECOMMENDING APPROVAL: ENGR. EDGEM LLOYD S. BALABIS	RECOMMENDING APPROVAL: ATTY. JONATHAN S. OCHE	APPROVED BY: ATTY. DONEL O. ALBINA	SHEET CONTENTS: SECTION THRU "A-A" SECTION THRU "B-B" SCHEDULE OF DOORS & WINDOWS	DRAWN BY: DATE: 10/19/2023	SHEET NO. A
	C.M. RECTO AVENUE, LAPASAN 9000 CAGAYAN DE ORO CITY TEL. Nos. (08822) 72-60-65 / (088) 856-1738 / 856-1739 TEL. FAX (088) 856-4696 WEB SITE : WWW.USTIP.EDU.PH	PRC NO. : PTR NO. : TIN NO. : DATE ISSUED :	LOCATION: C.M. RECTO AVENUE, LAPASAN, CAGAYAN DE ORO CITY	OWNER: UNIVERSITY OF SCIENCE & TECHNOLOGY OF SOUTHERN PHILIPPINES	DIRECTOR, AUXILIARY MANAGEMENT SERVICES	VICE CHANCELLOR FOR FINANCE & ADMINISTRATION	CHANCELLOR, USTP-CDO	CAD BY: Plot Date: 10-19-23 SCALE: VARIES	3 4




CEILING PLAN
 SCALE: 1:100 MTS



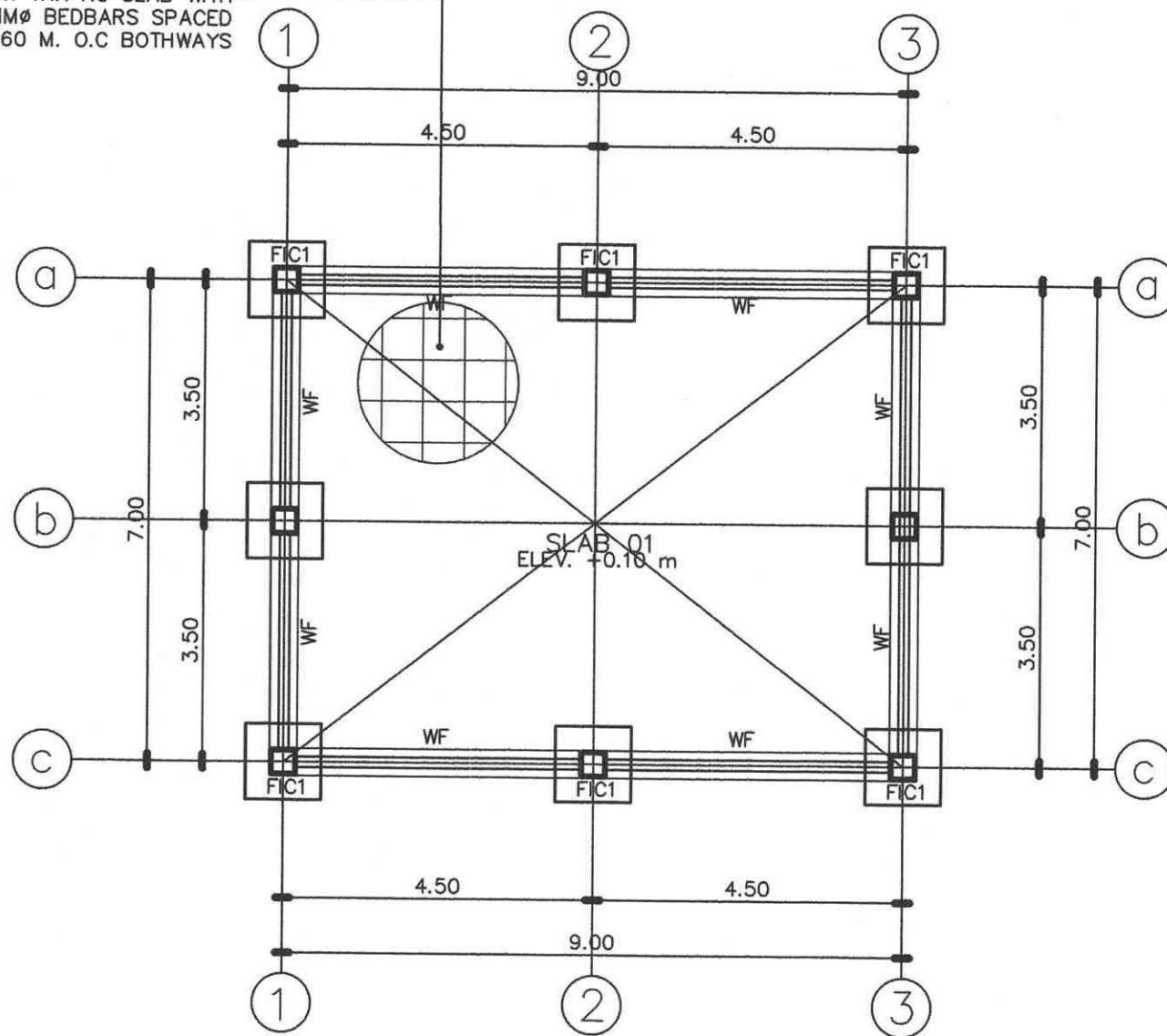

ROOF PLAN
 SCALE: 1:100 MTS

 USTIP UNIVERSITY OF SCIENCE & TECHNOLOGY OF SOUTHERN PHILIPPINES CAGAYAN DE ORO CITY 9000 <small>C.M. RECTO AVENUE, LAPASAN 9000 CAGAYAN DE ORO CITY TEL. NOS. (08822) 72-60-65 / (088) 856-1738 / 856-1739 TELE FAX (088) 856-4696 WEB SITE : WWW.USTIP.EDU.PH</small>	PREPARED BY :  ENGR. JEAN LOUIE M. LONGAKIT <small>CIVIL ENGINEER</small>	PROJECT PROPOSED MODULAR CLASSROOMS	RECOMMENDING APPROVAL:  ENGR. EDGEM LLOYD S. BALABIS <small>DIRECTOR, ALUMNI MANAGEMENT SERVICES</small>	RECOMMENDING APPROVAL:  ATTY. JONATHAN S. OCHE <small>VICE CHANCELLOR FOR FINANCE & ADMINISTRATION</small>	APPROVED BY:  ATTY. DIONEL O. ALBINA <small>CHANCELLOR, USTIP-CDO</small>	SHEET CONTENTS: CEILING PLAN ROOF PLAN	DRAWN BY: DATE: 10/19/2023 CAD BY: Plot Date: 10-19-23 SCALE: 1:100 MTS	SHEET NO. 
	LOCATION: C.M. RECTO AVENUE, LAPASAN, CAGAYAN DE ORO CITY OWNER: UNIVERSITY OF SCIENCE & TECHNOLOGY OF SOUTHERN PHILIPPINES		TITN NO.: PTR NO.: DATE ISSUED:	SEAL	SHEET NO.			

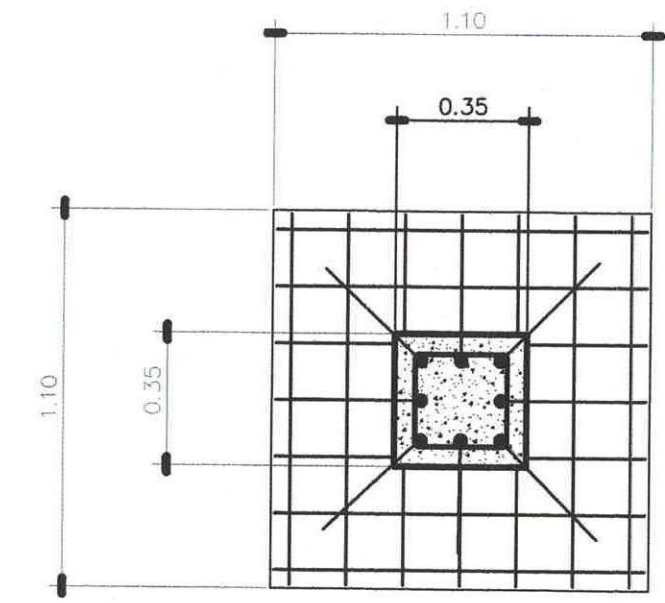
COLUMN SCHEDULE			
DESIGNATION	SIZE (MM)	VERTICAL REINFORCEMENT	LATERAL TIES
C1 (PEDESTAL)	350x350	8-12MM ϕ	10MM ϕ SP. 3-50MM, 2-100MM, REST @ 150MM O.C

FOOTING					
DESIGNATION	LENGTH	WIDTH	THICKNESS	DEPTH	REINFORCEMENT (BEDBARS)
F1	1.10 m	1.10 m	0.25 m	1.10 m	7-12mm BOTHWAYS

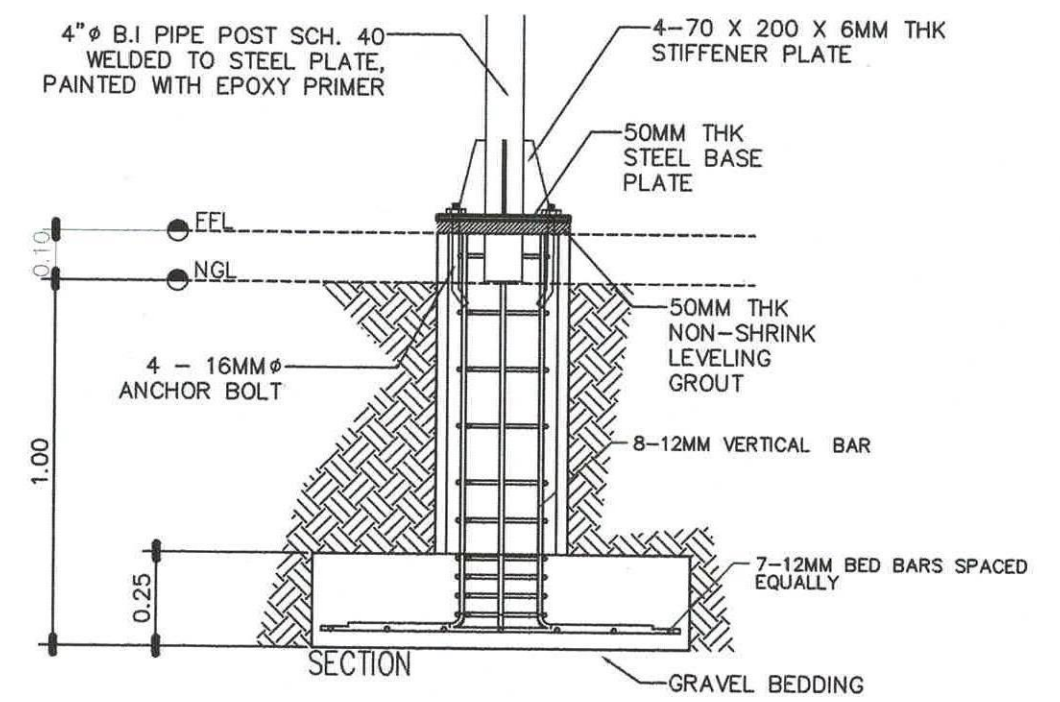
100mm THK RC SLAB WITH 10MM ϕ BEDBARS SPACED AT 0.60 M. O.C BOTHWAYS



FOUNDATION PLAN
SCALE 1:100 MTS



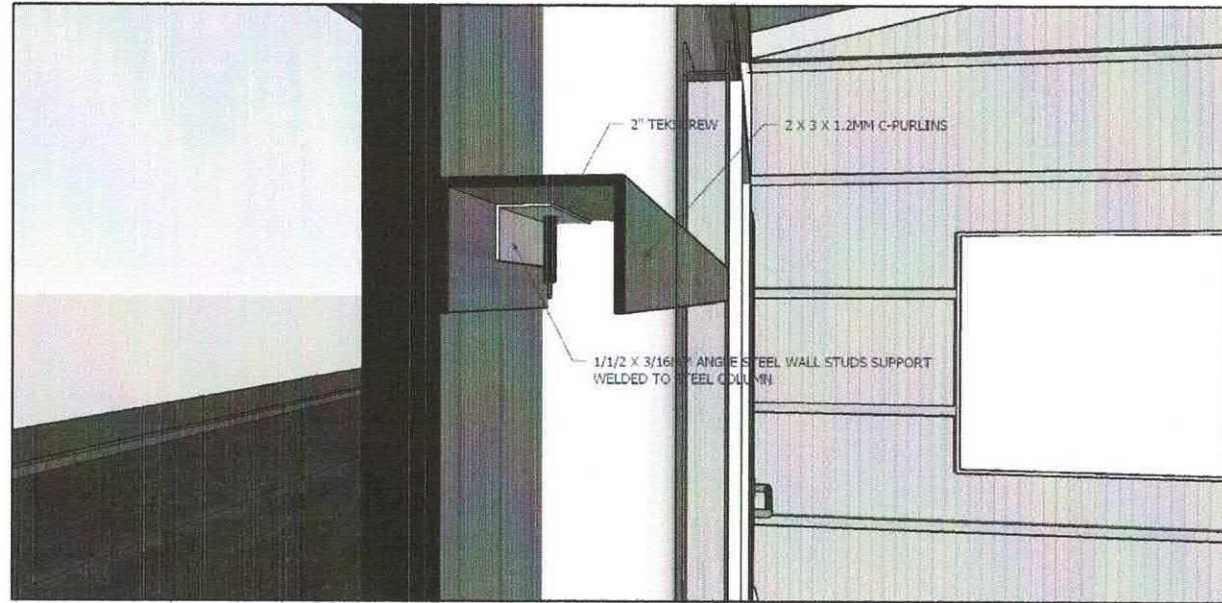
F1 PLAN



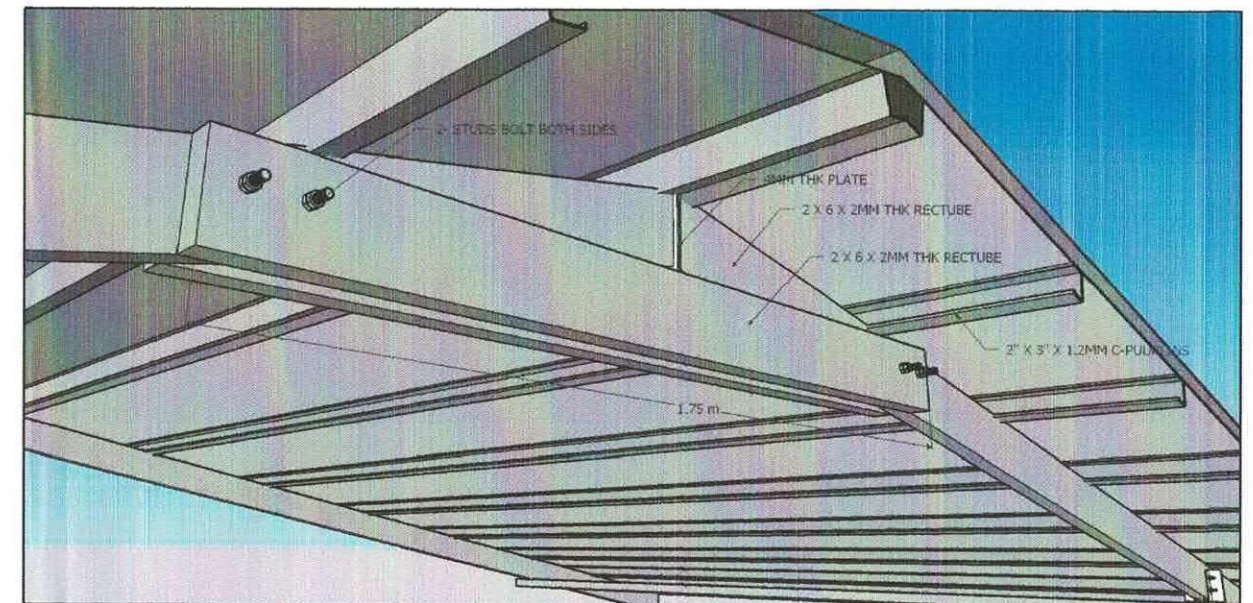
C1 DETAIL

COLUMN FOOTING DETAIL
SCALE: 1:20 MTS

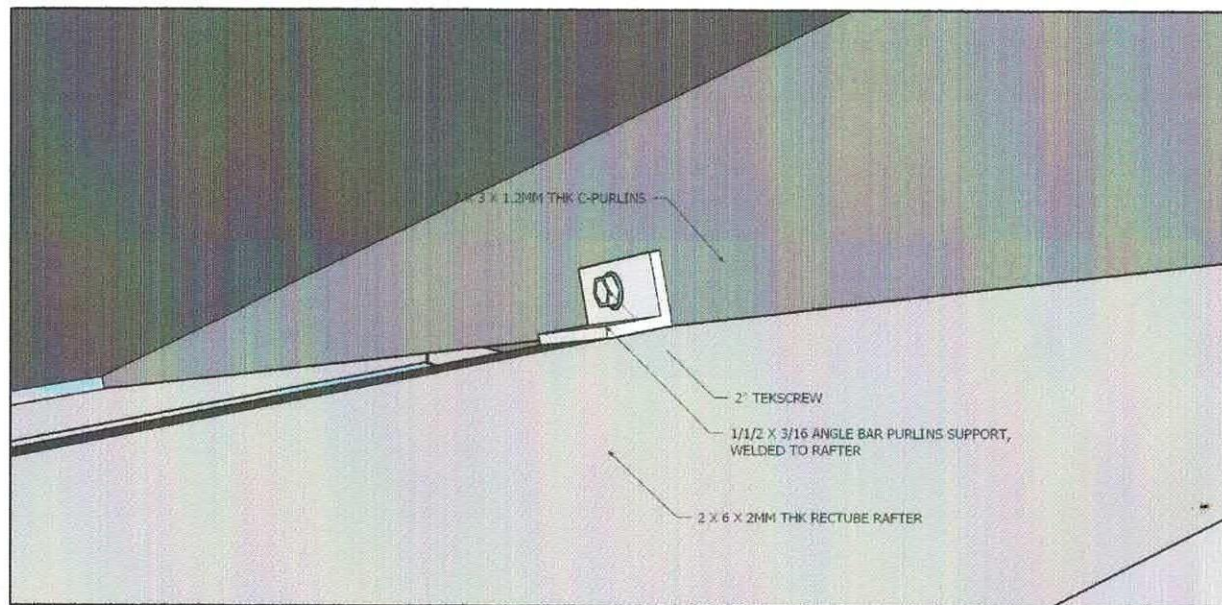
<p>REPUBLIC OF THE PHILIPPINES UNIVERSITY OF SCIENCE & TECHNOLOGY OF SOUTHERN PHILIPPINES CAGAYAN DE ORO CITY 9000</p> <p>C.M. RECTO AVENUE, LAPASAN 9000 CAGAYAN DE ORO CITY TEL. Nos. (08822) 72-60-65 / (088) 856-1738 / 856-1739 TELE FAX (088) 856-4696 WEB SITE : WWW.USTIP.EDU.PH</p>	PREPARED BY: ENGR. JEAN LOUIE M. LONGAKIT CIVIL ENGINEER	PROJECT PROPOSED MODULAR CLASSROOMS	RECOMMENDING APPROVAL: ENGR. EDELM LLOYD S. BALABIS DIRECTOR, AUXILIARY MANAGEMENT SERVICES	RECOMMENDING APPROVAL: ATTY. JONATHAN S. OCHE VICE CHANCELLOR FOR FINANCE & ADMINISTRATION	APPROVED BY: ATTY. DIONEL O. ALBINA CHANCELLOR, USTIP-CDO	SHEET CONTENTS: FOUNDATION PLAN COLUMN FOOTING DETAIL	DRAWN BY: DATE: 10/19/2023 CAD BY: Plot Date: 10-19-23 SCALE: VARIES	SHEET NO. <div style="border: 1px solid black; border-radius: 50%; width: 30px; height: 30px; display: flex; align-items: center; justify-content: center;"> <div style="border: 1px solid black; border-radius: 50%; width: 15px; height: 15px; display: flex; align-items: center; justify-content: center;">S</div> <div style="margin-left: 5px;">1</div> <div style="margin-left: 5px;">3</div> </div>
	PRC NO.: DFR NO.: TIN NO.: DATE ISSUED:		LOCATION C.M. RECTO AVENUE, LAPASAN, CAGAYAN DE ORO CITY	OWNER UNIVERSITY OF SCIENCE & TECHNOLOGY OF SOUTHERN PHILIPPINES				



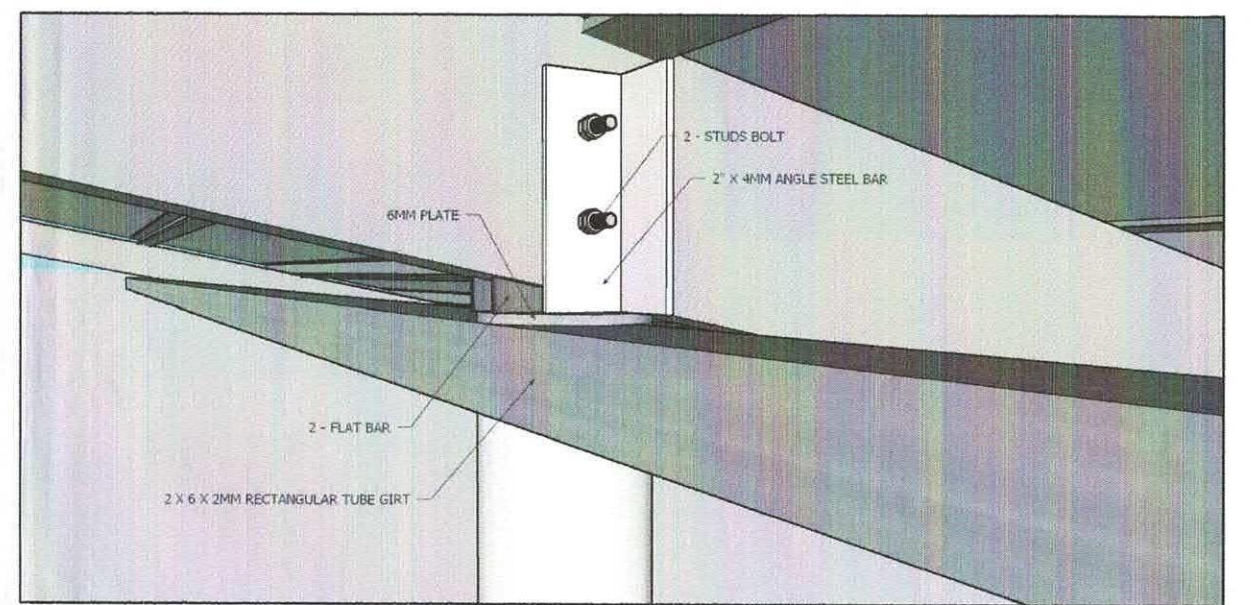

WALL FRAMING TO STEEL POST CONNECTION DETAIL
 SCALE: _____ NTS



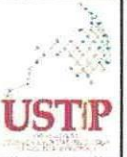

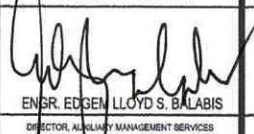



RAFTER CONNECTION DETAIL
 SCALE: _____ NTS

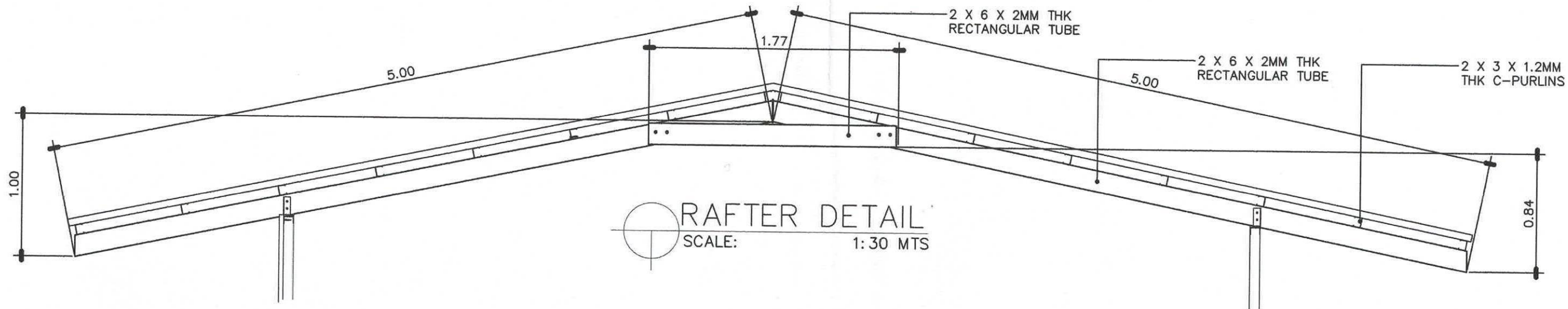



PURLINS SUPPORT DETAIL
 SCALE: _____ NTS

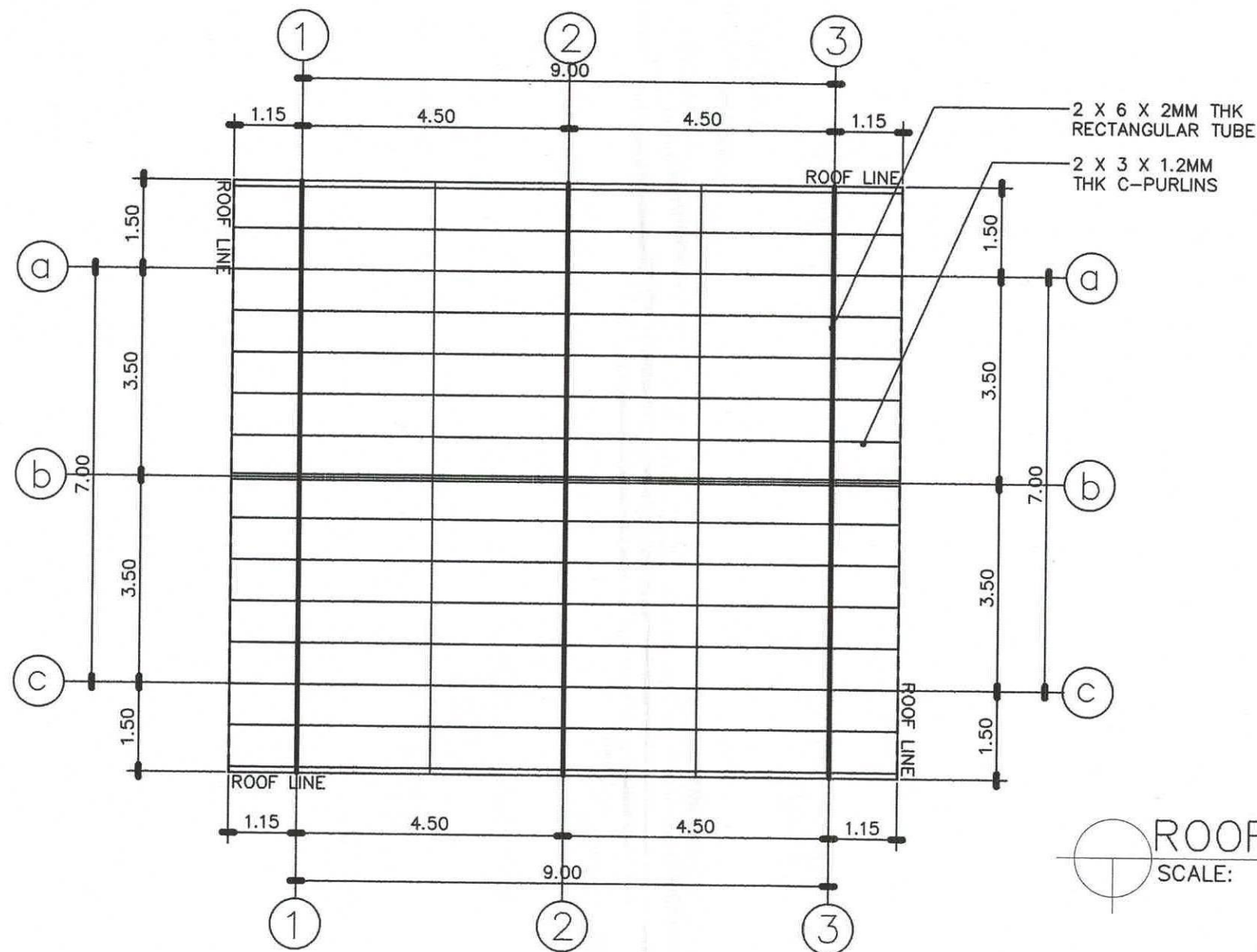



COLUMN TO RAFTER CONNECTION DETAIL
 SCALE: _____ NTS



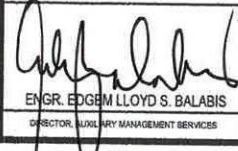


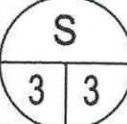
	REPUBLIC OF THE PHILIPPINES UNIVERSITY OF SCIENCE & TECHNOLOGY OF SOUTHERN PHILIPPINES CAGAYAN DE ORO CITY 9000	PREPARED BY:  ENGR. JEANLOVE MAE U. UNGAKIT <small>CMS ENGINEER</small>	PROJECT PROPOSED MODULAR CLASSROOMS	RECOMMENDING APPROVAL:  ENGR. EDGEN LLOYD S. BALABIS <small>DIRECTOR, QUALITY MANAGEMENT SERVICES</small>	RECOMMENDING APPROVAL:  ATTY. JONATHAN S. OCHE <small>VICE CHANCELLOR FOR FINANCE & ADMINISTRATION</small>	APPROVED BY:  ATTY. DIONEL O. ALBINA <small>CHANCELLOR, USTP-COG</small>	SHEET CONTENTS: WALL FRAMING TO STEEL POST CONNECTION DETAIL RAFTER CONNECTION DETAIL PURLIN SUPPORT DETAIL COLUMN TO RAFTER CONNECTION DETAIL	DRAWN BY: DATE: 10/19/2023 CAD BY: Plot Date: 10-19-23 SCALE: NTS.	SHEET NO. <div style="border: 1px solid black; border-radius: 50%; width: 40px; height: 40px; display: flex; align-items: center; justify-content: center; margin: 0 auto;"> <div style="font-size: 24px; font-weight: bold; margin-right: 5px;">S</div> <div style="font-size: 24px; font-weight: bold; margin-right: 5px;">2</div> <div style="font-size: 24px; font-weight: bold; margin-left: 5px;">3</div> </div>
	C.M. RECTO AVENUE, LAPASAN 9000 CAGAYAN DE ORO CITY TEL. Nos. (08822) 72-65-65 / (088) 856-1738 / 856-1739 TELE FAX (088) 856-4696 WEB SITE : WWW.USTP.EDU.PH	PRC NO. : PTR NO. : TIN NO. : DATE ISSUED :	LOCATION C.M. RECTO AVENUE, LAPASAN, CAGAYAN DE ORO CITY OWNER UNIVERSITY OF SCIENCE & TECHNOLOGY OF SOUTHERN PHILIPPINES	SEAL	DIRECTOR, QUALITY MANAGEMENT SERVICES	VICE CHANCELLOR FOR FINANCE & ADMINISTRATION	CHANCELLOR, USTP-COG		




RAFTER DETAIL
 SCALE: 1:30 MTS




ROOF FRAMING PLAN
 SCALE: 1:100 MTS

 C.M. RECTO AVENUE, LAPASAN 9000 CAGAYAN DE ORO CITY TEL. Nos. (08822) 72-60-65 / (088) 856-1738 / 856-1739 TELE FAX (088) 856-4696 WEB SITE : WWW.USTIP.EDU.PH	REPUBLIC OF THE PHILIPPINES UNIVERSITY OF SCIENCE & TECHNOLOGY OF SOUTHERN PHILIPPINES CAGAYAN DE ORO CITY 9000		PREPARED BY :  ENGR. JEANLOVE MAE U. LINGAKIT <small>CMS ENGINEER</small>	PROJECT PROPOSED MODULAR CLASSROOMS	RECOMMENDING APPROVAL:  ENGR. EDGEM LLOYD S. BALABIS <small>DIRECTOR, FACILITY MANAGEMENT SERVICES</small>	RECOMMENDING APPROVAL:  ATTY. JONATHAN S. OCHE <small>VICE CHANCELLOR FOR FINANCE & ADMINISTRATION</small>	APPROVED BY:  ATTY. DIONEL O. ALBINA <small>CHANCELLOR, USTIP-CDO</small>	SHEET CONTENTS: RAFTER DETAIL ROOF FRAMING PLAN	DRAWN BY: DATE: 10/19/2023 CAD BY: Plot Date: 10-19-23 SCALE: VARIES	SHEET NO. 
	PRC NO. : PTR NO. : TIN NO. :	DATE ISSUED :	LOCATION C.M. RECTO AVENUE, LAPASAN, CAGAYAN DE ORO CITY	OWNER UNIVERSITY OF SCIENCE & TECHNOLOGY OF SOUTHERN PHILIPPINES	SEAL					