



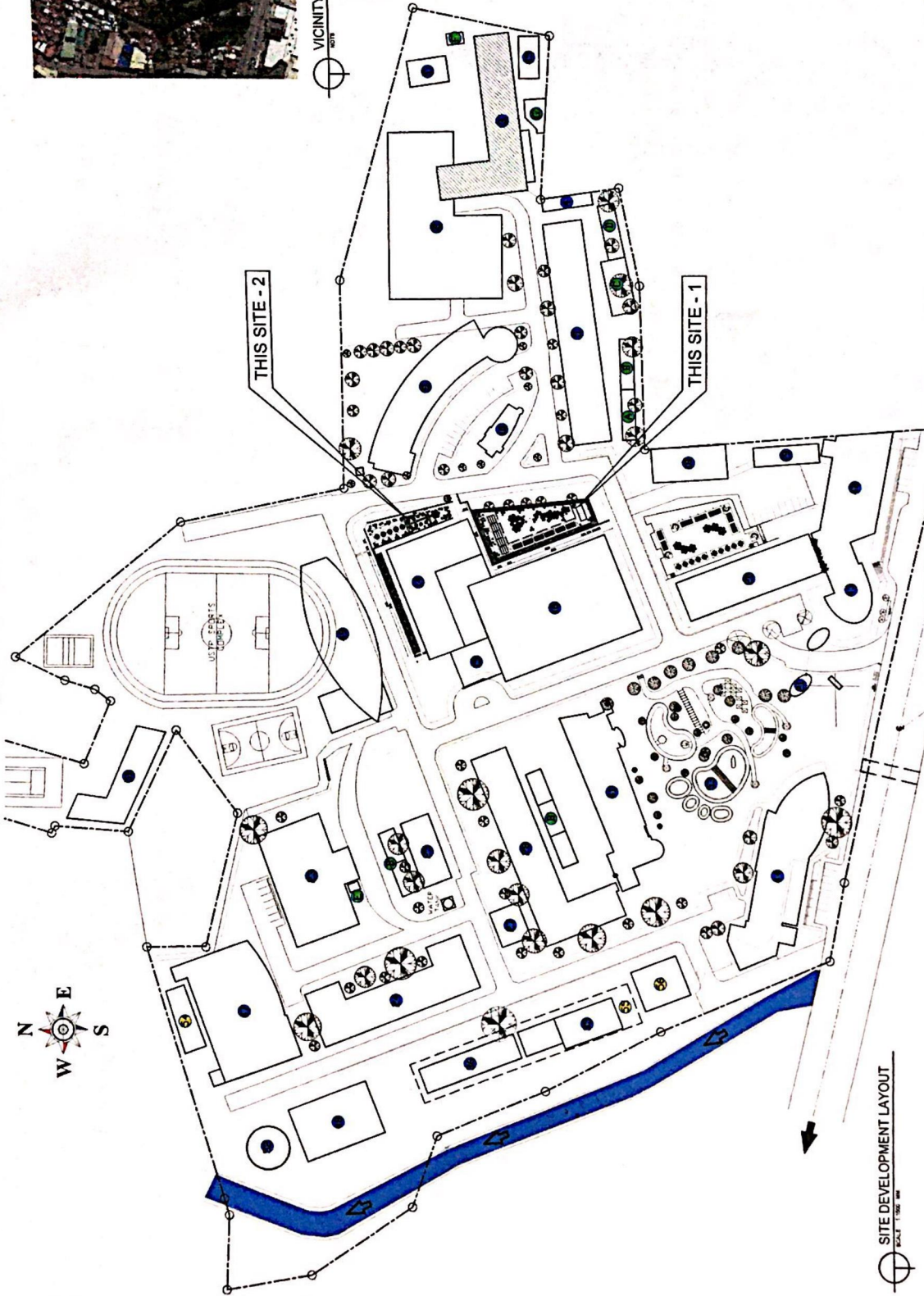
7

PERSPECTIVES  
NOTES

|  |   |  |   |  |   |   |                               |
|--|---|--|---|--|---|---|-------------------------------|
| <p>REPUBLIC OF THE PHILIPPINES<br/>UNIVERSITY OF SCIENCE &amp; TECHNOLOGY OF SOUTHERN PHILIPPINES<br/>CALAYAN DE ORDO CITY 8000</p> <p>C. M. RECTO AVENUE, LAPANAN, 8000 CALAYAN DE ORDO CITY<br/>TEL. NOS. (08422) 72-86-68 / (0848) 956-1738 / 956-1739<br/>FAX 5174 WWW.USTP.EDU.PH</p> | <p>PREPARED BY:<br/>ENGR. ANJEE C. MERIK<br/>REG. NO. _____<br/>TR. NO. _____<br/>DATE ISSUED _____</p> | <p>PROJECT:<br/>PROPOSED STUDENT STUDY SHED</p>                        | <p>RECOMMENDING APPROVAL:<br/><br/>ATTY. JONATHAN S. DOSE<br/>NLS CONSULTANT FOR FINANCE &amp; ADMINISTRATION</p> | <p>APPROVED BY:<br/><br/>ATTY. DANIEL O. RIVERA<br/>MUNICIPAL OFFICER</p>  | <p>SHEET CONTENTS:<br/>PERSPECTIVES</p> | <p>DRAWN BY: GOME<br/>DATE: 28/02/2022<br/>CAD BY: ANJEE MERIK<br/>User Defined: 28/02/2022<br/>Plot Date: 28/02/2022<br/>SCALE: NOTS</p> | <p>SHEET NO.<br/>A1<br/>1</p> |
|  | <p>OWNER:<br/>UNIVERSITY OF SCIENCE &amp; TECHNOLOGY OF SOUTHERN PHILIPPINES</p>                        | <p>LOCATION:<br/>C. M. RECTO AVENUE, LAPANAN, CALAYAN DE ORDO CITY</p> | <p>SEAL</p>   | <p>AS PERMITTED BY THE BOARD OF TECHNICAL EDUCATION<br/>REG. NO. _____<br/>TR. NO. _____<br/>DATE ISSUED _____</p> |   |   |                               |



VICINITY MAP



SITE DEVELOPMENT LAYOUT  
SCALE: 1:500

|  |  |  |   |   |   |  |                         |
|--|--|--|---|---|---|--|-------------------------|
| <p>REPUBLIC OF THE PHILIPPINES<br/>UNIVERSITY OF SCIENCE &amp; TECHNOLOGY OF SOUTHERN PHILIPPINES<br/>C.M. RECTO AVENUE, LUPATAN, DAVAO DE ORO CITY<br/>TEL. Nos. (08822) 71-66-69 / (088) 886-1738 / 886-1739<br/>WWW.USTP.PH</p> | <p>PREPARED BY:<br/>ENGR. ANASTACIO NERI, JR.<br/>R.C. NO. _____<br/>I.T.E. NO. _____<br/>DATE ISSUED: _____</p> | <p>PROJECT:<br/>PROPOSED STUDENT STUDY SHED</p>                    | <p>RECOMMENDING APPROVAL:<br/><br/>ATTY. DONATO ALINA<br/>OFFICIAL APPROVAL</p> | <p>APPROVED BY:<br/><br/>ATTY. DONATO ALINA<br/>OFFICIAL APPROVAL</p> | <p>SHEET CONTENTS:<br/>SITE DEVELOPMENT LAYOUT<br/>SHEET 1 OF 1</p> | <p>DRAWN BY: GONE<br/>DATE: 7/26/2022<br/>LAD BY: ANASTACIO NERI, JR.<br/>JOB NUMBER: 23020202<br/>PLOT DATE: 7/26/22<br/>SCALE: 1:500mm</p> | <p>SHEET NO.<br/>A2</p> |
|  | <p>OWNER:<br/>UNIVERSITY OF SCIENCE &amp; TECHNOLOGY OF SOUTHERN PHILIPPINES</p>                                 | <p>LOCATION:<br/>C.M. RECTO AVENUE, LUPATAN, DAVAO DE ORO CITY</p> | <p>RECOMMENDING APPROVAL:<br/><br/>ATTY. DONATO ALINA<br/>OFFICIAL APPROVAL</p> | <p>APPROVED BY:<br/><br/>ATTY. DONATO ALINA<br/>OFFICIAL APPROVAL</p> | <p>SHEET CONTENTS:<br/>SITE DEVELOPMENT LAYOUT<br/>SHEET 1 OF 1</p> | <p>DRAWN BY: GONE<br/>DATE: 7/26/2022<br/>LAD BY: ANASTACIO NERI, JR.<br/>JOB NUMBER: 23020202<br/>PLOT DATE: 7/26/22<br/>SCALE: 1:500mm</p> | <p>SHEET NO.<br/>A2</p> |

## SCOPE OF WORKS:

### SITE PLANNING PREPARATION:

1. SITE PAVING AND PREPARATIONS IS PART OF THE SCOPE.
2. BACKFILLING WORKS ARE PART OF THE SCOPE.
3. LAYOUT OF STUDY PLATFORMS.
4. LAYOUT OF TRENCH DRAINAGE.
5. LAYOUT OF TRENCH DRAINAGE.
6. ALL BACKFILLING WORKS ARE CONSIDER IN THE SCOPE OF WORK. (+200mm. FOR SITE-1 AND +100mm. FOR SITE-2)
7. DEMOLITION WORKS ARE CONSIDER IN THE SCOPE OF WORK.
8. ALL LAYOUT THAT COULD CLASH TREES SHOULD SUBJECT FOR CLARIFICATION AT CSWS OFFICE
9. ALL LAYOUT THAT COULD CLASH SHRUBS/PLANTS SHOULD SUBJECT FOR CLARIFICATION AT CSWS AND BSMU OFFICE

### STUDY & PERFORMING SHED'S PLATFORMS:

1. ALL PLATFORMS ARE CLASS B MATURE SLAB ON GRADE, FOR STUDY SHED AND PERFORMING SHED'S CONSIDERING ITS REINFORCEMENTS PLUS FINISHES
2. ROUGHING-IN ARE TO BE CONSIDERED
3. EMBEDMENT OF STEEL FABRICATED CONNECTOR AND LEVELING SHOULD BE IN PLACED.
4. STEEL COLUMN, LEVELING AND INSTALLATIONS WITH STEEL RHS GRIDDERS SHOULD BE IN PLACED.
5. SECURING AND INSTALLATION OF STEEL TRUSSES AND PURLINS.
6. INSTALLATION OF PREFABRICATED AND PRE-PAINTED ROOFING AS PER APPROVED SAMPLE WITH 4:1 SLOPE REQUIREMENTS.
7. INSTALLATION OF PREFABRICATED AND PRE-PAINTED STEEL GUTTER AS PER APPROVED SAMPLE.
8. INSTALLATION OF STEEL STRAINER FOR GUTTER DOWNSPOUT.
9. ALL STEEL WELD CONNECTIONS MUST BE FULLY WELDED BOTH ON SITE AND FABRICATIONS.
10. GROUT MUST BE PLACE BEFORE STEEL COLUMN BASE PLATE, TO SECURE THE EXACT LEVELING.

### PLUMBING:

1. ALL DOWNSPOUTS AND STEEL STRAINER FOR GUTTER ARE INCLUDED IN THE SCOPE.
2. CATCH BASINS ARE PART OF THE SCOPE OF WORK.
3. ALL TRENCH DRAINAGE ARE INCLUDED IN THE SCOPE OF WORK.
4. STEEL GRATING FABRICATIONS FOR TRENCH DRAINAGE PLUS INSTALLATIONS ARE PART OF THE WORK.
5. REINFORCED CONCRETE PIPES (RCP) PLUS EXCAVATION AND INSTALLATION IS PART OF THE SCOPE.

### STEEL FABRICATED ELEMENTS:

1. STEEL COLUMNS WITH BASE PLATES AND STIFFENER PLATES PLUS PAINTING
2. CONNECTOR BASE PLATES PLUS PAINTING
3. STEEL TRUSSES OF STUDY SHED AND PERFORMING SHED'S PLUS PAINTING
4. STEEL ASSEMBLY OF RECTANGULAR TABLES AND CHAIRS PLUS PAINTING WORK
5. STEEL ASSEMBLY OF SQUARE TABLES AND CHAIRS PLUS PAINTING WORK

### PAINTING WORKS:

1. ALL METAL WORKS AND ASSEMBLY (BOLTED AND WELDED) SHOULD BE PAINTED WITH ANTI RUST, METAL PRIMER AND METAL EXTERIOR EPOXY PAINT. COLORS AS PER STATED/SPECIFIED IN THE DRAWING.

### ELECTRICAL:



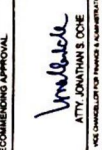

1. ALL ELECTRICAL FIXTURES INSTALLATION ARE PART OF THIS SCOPE.

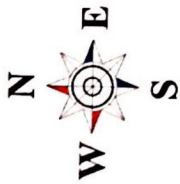
### ELECTRONICS:

1. ALL ELECTRONIC FIXTURES AND THE LIKE, INSTALLATION, ROUGHING-IN AND WIRING/CABLING ARE PART OF THIS SCOPE, WITH SUPERVISION AND APPROVAL OF THE ICT PERSONNEL.
  - > 3 UNITS OUTDOOR ACCESS POINT HIGH DENSE
  - > 1 ROLL STP, CAT6
  - > 1 UNIT 8 PORTS GIGABITE POE SWITCH
  - > 6 PCS. KEYSTONE JACK WITH UTILITY BOX, CAT6

### NOTE:

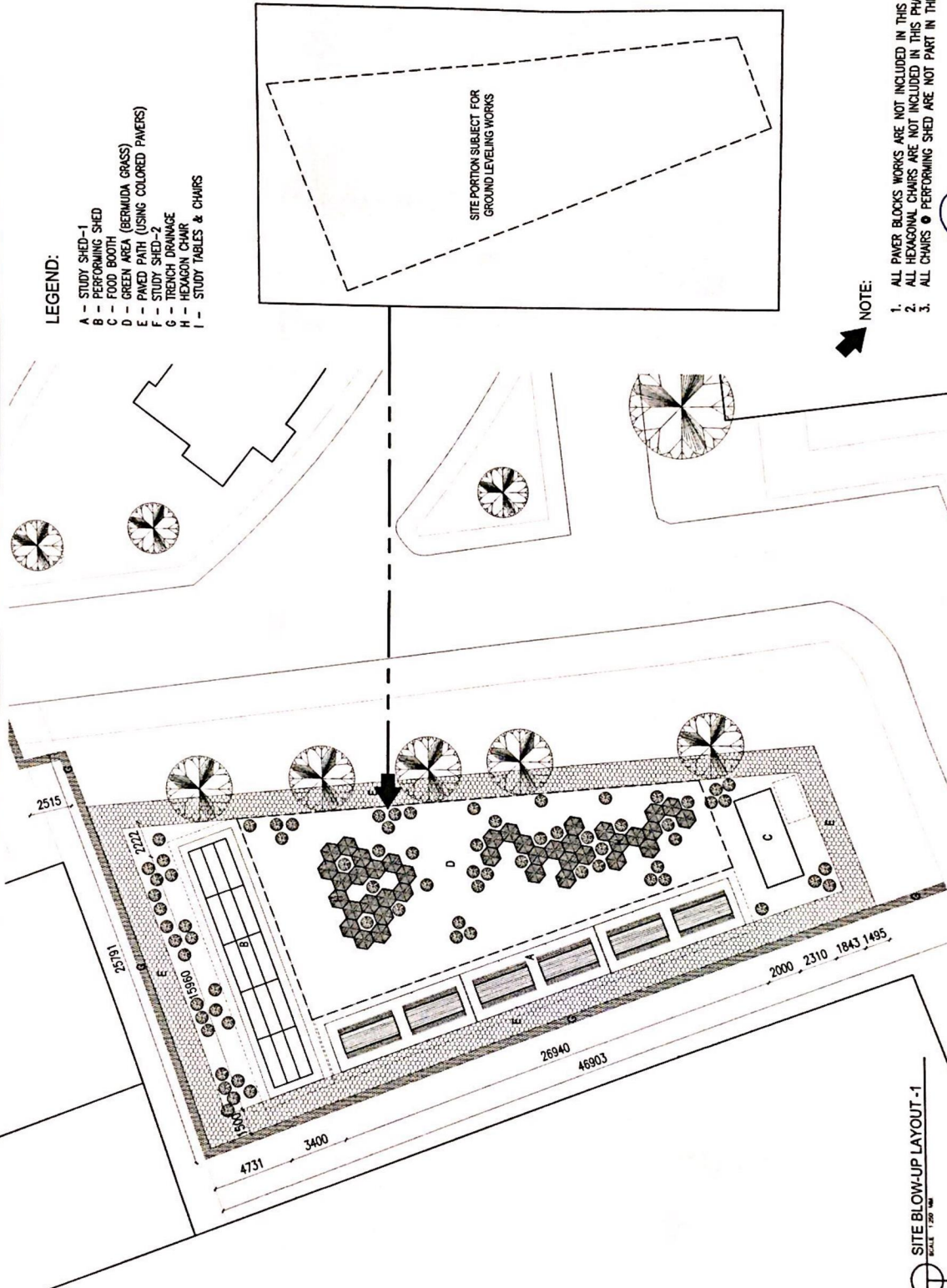
1. ALL DRAWINGS ARE BEING SCALED/DIMENSIONED IN MILLIMETERS.
2. ALL DISCREPANCIES IN DRAWINGS SHOULD BE CONFIRMED AND DOCUMENTED BY THE CSWS OFFICE.
3. ALL DISCREPANCIES IN LAYOUT @ SITE SHOULD BE CONFIRMED/CONSULTED BY THE CSWS OFFICE.
4. ANY OBSTACLES ENCOUNTERED ON SITE PREPARATIONS MUST BE CONSULTED WITH THE CSWS OFFICE.
5. ALL STEEL WELD CONNECTIONS MUST BE FULLY WELDED BOTH ON SITE AND FABRICATIONS.

|   |   |  |   |      |   |  |   |                                   |   |                 |
|---|---|--|---|------|---|--|---|-----------------------------------|---|-----------------|
|  | REPUBLIC OF THE PHILIPPINES<br>UNIVERSITY OF SCIENCE & TECHNOLOGY OF SOUTHERN PHILIPPINES<br>CAGAYAN DE ORO CITY 9000<br>C.M. Recto Avenue, Lapasan, 9000 Cagayan de Oro City<br>Tel. Nos. (08822) 72-66-66 / (088) 854-1731 / 854-1739<br>Fax No. (088) 854-1739<br>Web Site: www.usstp.edu.ph | PROJECT<br>PROPOSED STUDENT STUDY SHED<br>LOCATION: C.M. RECTO AVENUE, LAPASAN, CAGAYAN DE ORO CITY<br>OWNER: UNIVERSITY OF SCIENCE & TECHNOLOGY OF SOUTHERN PHILIPPINES | PREPARED BY:<br>ENGR. ANSELMO C. NERI, Jr.<br>(P) (R) NO. _____<br>DATE ISSUED: _____ | SEAL | RECOMMENDING APPROVAL:<br><br>ATTY. DANIEL D. ALISMA<br>(P) (R) NO. _____<br>DATE: _____ | RECOMMENDING APPROVAL:<br><br>ATTY. JOAQUIN S. DOCE<br>(P) (R) NO. _____<br>DATE: _____ | APPROVED BY:<br><br>ATTY. DANIEL D. ALISMA<br>(P) (R) NO. _____<br>DATE: _____ | SHEET CONTENTS:<br>SCOPE OF WORKS | DRAWN BY: DONE<br>DATE: 24/02/2022<br>CAD BY: ANSELMO C. NERI, Jr.<br>Date Created: 24/02/2022<br>Plot Date: 7/6/22<br>SCALE: NOTES | SHEET NO.<br>A3 |
|---|---|--|---|------|---|--|---|-----------------------------------|---|-----------------|



**LEGEND:**

- A - STUDY SHED-1
- B - PERFORMING SHED
- C - FOOD BOOTH
- D - GREEN AREA (BERMUDA GRASS)
- E - PAVED PATH (USING COLORED PAVERS)
- F - STUDY SHED-2
- G - TRENCH DRAINAGE
- H - HEXAGON CHAIR
- I - STUDY TABLES & CHAIRS



**NOTE:**

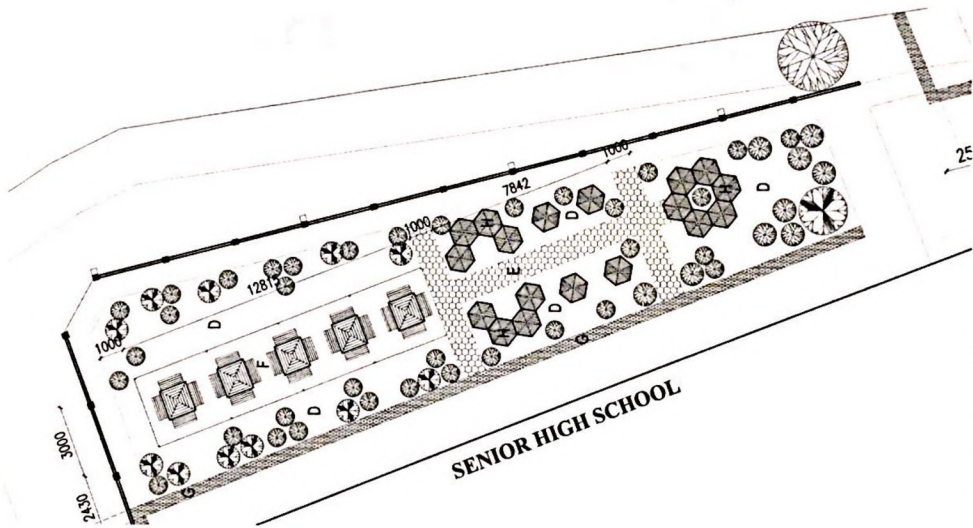
1. ALL PAVEMENT WORKS ARE NOT INCLUDED IN THIS PHASE OF WORK.
2. ALL HEXAGONAL CHAIRS ARE NOT INCLUDED IN THIS PHASE OF WORK.
3. ALL CHAIRS & PERFORMING SHED ARE NOT PART IN THIS PHASE OF WORK.

|  |   |   |  |   |  |   |                        |
|--|---|---|--|---|--|---|------------------------|
|  | REPUBLIC OF THE PHILIPPINES<br>UNIVERSITY OF SCIENCE & TECHNOLOGY OF SOUTHERN PHILIPPINES<br>C-5, Recto Avenue, Lapanan, CAGAYAN DE ORO CITY 9000<br>Tel. Nos. (08827) 72-60-58 / (088) 866-1758 / 866-1759<br>Fax # (088) 866-0696<br>Web Site: www.ustip.edu.ph | PREPARED BY:<br>ENGR. ANNETTE C. MERIJA<br>PR. NO. _____<br>DATE ISSUED _____ | PROJECT:<br><b>PROPOSED STUDENT STUDY SHED-2</b><br>LOCATION: C.M. RECTO AVENUE, LAPANAN, CAGAYAN DE ORO CITY<br>OWNER: UNIVERSITY OF SCIENCE & TECHNOLOGY OF SOUTHERN PHILIPPINES | RECOMMENDING APPROVAL:<br><br>ATTY. JONATHAN S. DOCO<br><small>MEMBER OF BAR FOR PHILIPPINES &amp; REPRESENTATIVE</small> | SHEET CONTENTS:<br>SITE BLOW-UP LAYOUT-1 | DRAWN BY: GOME<br>DATE: 26/02/2022<br>CAD BY: isaiahgomez<br>Date Created: 26/02/2022<br>Plot Date: 26/02<br>SCALE: 1:250mm | SHEET NO.<br><b>A4</b> |
|--|---|---|--|---|--|---|------------------------|



**LEGEND:**

- A - STUDY SHED-1
- B - PERFORMING SHED
- C - FOOD BOOTH
- D - GREEN AREA (BERMUDA GRASS)
- E - PAVED PATH (USING COLORED PAVERS)
- F - STUDY SHED-2
- G - TRENCH DRAINAGE
- H - HEXAGON CHAIR
- I - STUDY TABLES & CHAIRS

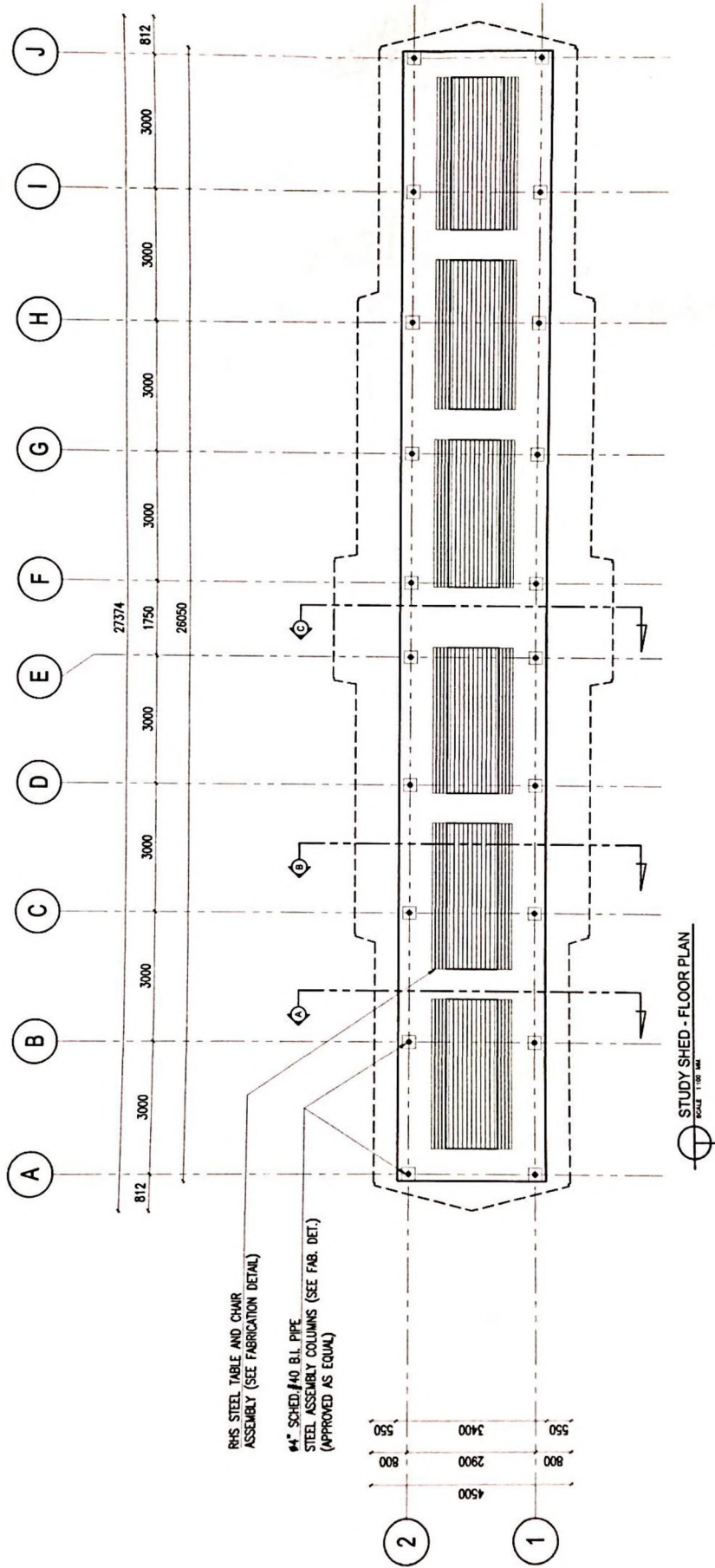


**NOTE:**

1. ALL PAVER BLOCKS WORKS ARE NOT INCLUDED IN THIS PHASE OF WORK.
2. ALL HEXAGONAL CHAIRS ARE NOT INCLUDED IN THIS PHASE OF WORK.

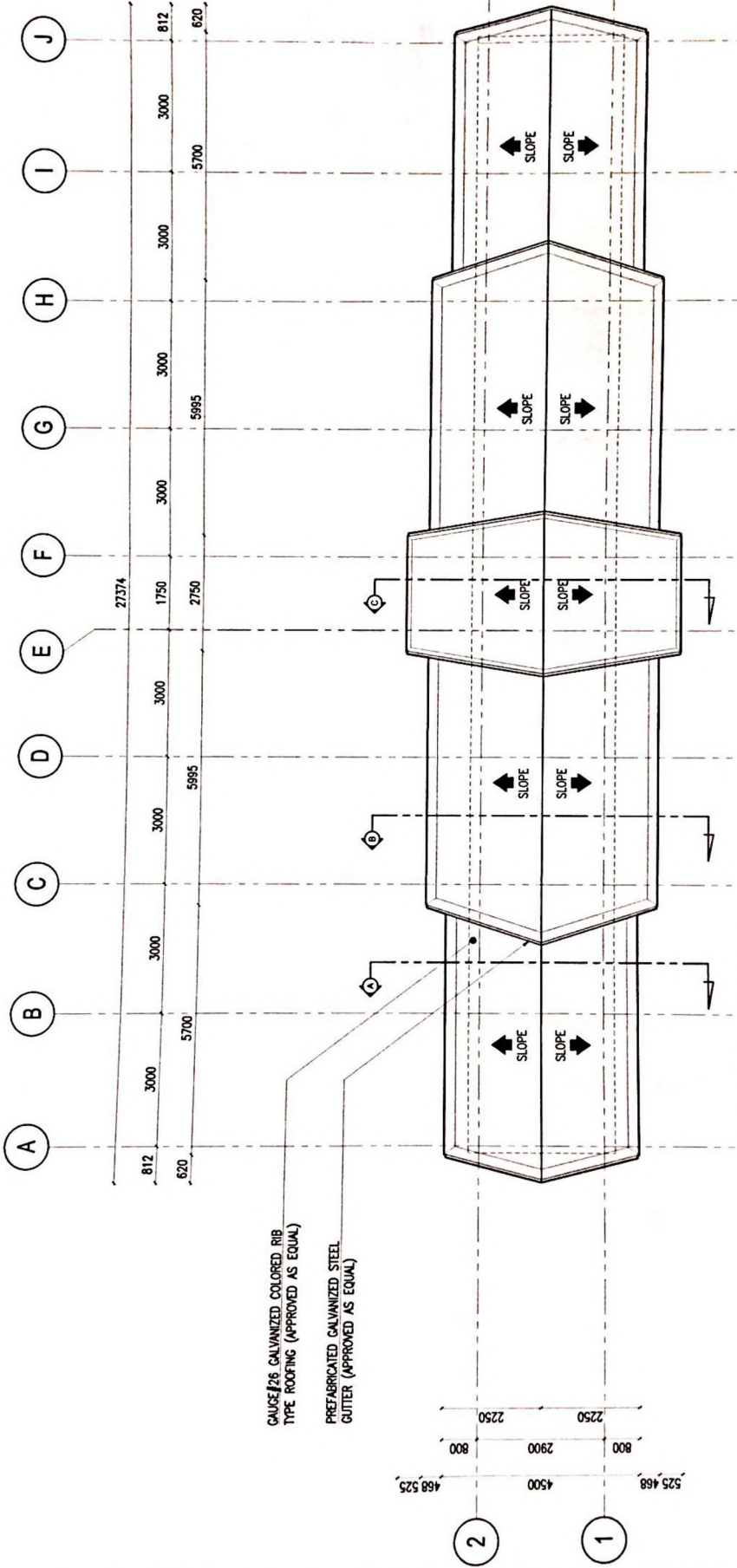
**SITE BLOW-UP LAYOUT-2**  
SCALE 1:200 MM

|  |   |   |   |  |                            |                  |   |   |                        |
|--|---|---|---|--|----------------------------|------------------|---|---|------------------------|
|  | REPUBLIC OF THE PHILIPPINES<br><b>UNIVERSITY OF SCIENCE &amp; TECHNOLOGY OF SOUTHERN PHILIPPINES</b><br>CAGAYAN DE ORO CITY 9000<br><small>C-14 Recto Avenue, Lapasan Road CAGAYAN DE ORO CITY 9000<br/>         Tel. No. (0881) 854-4879<br/>         888 519 8888 8888 8888</small> | PREPARED BY:<br>ENGR. ANASTO NERI J.<br>REG. NO. _____<br>TIN NO. _____ | PROJECT:<br><b>PROPOSED STUDENT STUDY SHED-2</b>                                  | RECOMMENDATION APPROVAL:<br>   | RECOMMENDING APPROVAL:<br> | APPROVED BY:<br> | SHEET CONTENTS:<br>SITE BLOW-UP P.L.A-2 | DRAWN BY: GONE<br>DATE: 28/02/2022<br>CAD BY: mahagrade<br>User Created: 28/02/2022<br>Plot Date: 28/02<br>Scale: 1:250mm | SHEET NO.<br><b>A5</b> |
|  | LOCATION: C.M. RECTO AVENUE, LAPASAN, CAGAYAN DE ORO CITY<br>COURSE: UNIVERSITY OF SCIENCE & TECHNOLOGY OF SOUTHERN PHILIPPINES   | REASON FOR REVISION:<br>1. _____<br>2. _____                            | ATTY. JONATHAN D. OSE<br><small>REG. NO. _____<br/>         TIN NO. _____</small> | ATTY. DOREL D. TEBMA<br><small>REG. NO. _____<br/>         TIN NO. _____</small> | CONSULTANT OFFICE:         | SHEET NO.        |   |   |                        |



STUDY SHED - FLOOR PLAN  
SCALE: 1/8" = 1'-0"

|  |   |  |  |  |  |
|--|---|--|--|--|--|
|  | PREPARED BY:<br>ENGR. ANNETTE MERRI J.<br>REG. NO. _____<br>TIN NO. _____<br>DATE ISSUED: _____   | PROJECT:<br><b>PROPOSED STUDENT STUDY SHED-2</b>   | RECOMMENDING APPROVAL:<br><br>ATTY. JONATHAN S. OCHO<br>ATTORNEY AT LAW<br>(ICE CONSULTANT FOR FINANCE & ADMINISTRATION) | SHEET CONTENTS:<br>FLOOR PLAN  | SHEET NO.<br><b>A6</b>   |
|  | UNIVERSITY OF THE PHILIPPINES<br>UNIVERSITY OF SCIENCE & TECHNOLOGY OF SOUTHERN PHILIPPINES<br>C. M. Recto Avenue, Lapasan, CAGAYAN DE ORO CITY 9000<br>Tel: (088) 854-4474<br>Fax: (088) 854-4475<br>Web: www.ustip.edu.ph | LOCATION: C. M. RECTO AVENUE LAPASAN, CAGAYAN DE ORO CITY<br>OWNER: UNIVERSITY OF SCIENCE & TECHNOLOGY OF SOUTHERN PHILIPPINES | RECOMMENDING APPROVAL:<br><br>ATTY. JONATHAN S. OCHO<br>ATTORNEY AT LAW<br>(ICE CONSULTANT FOR FINANCE & ADMINISTRATION) | APPROVED BY:<br><br>ATTY. JONATHAN S. OCHO<br>ATTORNEY AT LAW<br>(ICE CONSULTANT FOR FINANCE & ADMINISTRATION) | DRAWN BY: GONE<br>DATE: 2/26/2022<br>CHECKED BY: JONATHAN OCHO<br>DATE CHECKED: 2/26/2022<br>PLOT DATE: 2/26/22<br>SCALE: 1/8" = 1'-0" |



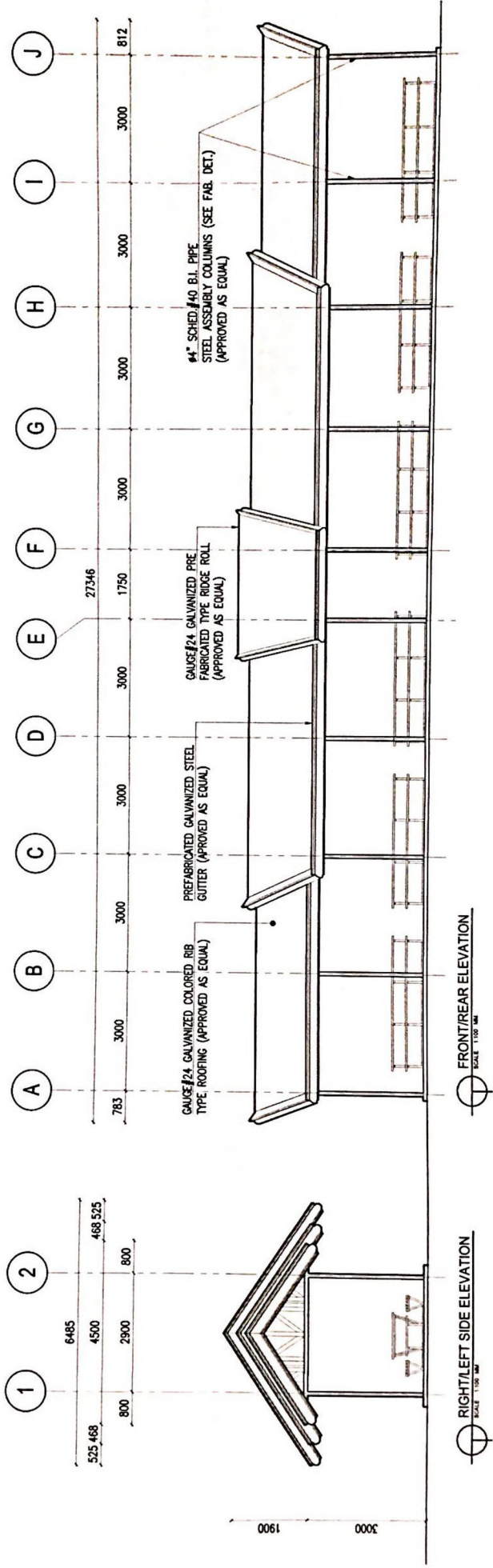
GAUGE 26 GALVANIZED COLORED RIB  
TYPE ROOFING (APPROVED AS EQUAL)

PREFABRICATED GALVANIZED STEEL  
GUTTER (APPROVED AS EQUAL)

STUDY SHED - ROOF PLAN  
SCALE: 1/16" = 1'-0"

|  |  |   |  |  |  |                              |  |  |
|--|--|---|--|--|--|------------------------------|--|--|
|  | REPUBLIC OF THE PHILIPPINES<br>UNIVERSITY OF SCIENCE & TECHNOLOGY OF SOUTHERN PHILIPPINES<br>C-11 RECTO AVENUE, LAPANAN 9000 CAGAYAN DE ORO CITY<br>TEL. Nos. (088) 74-4443 / (088) 886-1738 / 886-1739<br>FAX No. (088) 886-1844<br>WEB SITE: www.ustp.edu.ph | PREPARED BY:<br>ENGR. ANICET C. MERI, Jr.<br>TRN NO. _____<br>DATE ISSUED _____ | PROJECT:<br><b>PROPOSED STUDENT STUDY SHED-2</b>           | RECOMMENDING APPROVAL:<br><br>ATTY. DONATO BERNAL<br>CHIEF OF OFFICE | APPROVED BY:<br><br>ATTY. DONATO BERNAL<br>CHIEF OF OFFICE   | SHEET CONTENTS:<br>ROOF PLAN | DRAWN BY: GOME<br>DATE: 20020202<br>CAD BY: ANICET MERI<br>Date Created: 20020202<br>Plot Date: 7/6/22<br>SCALE: 1/16" = 1'-0" |  |
|  | LOCATION: C-11 RECTO AVENUE, LAPANAN, CAGAYAN DE ORO CITY<br>OWNER: UNIVERSITY OF SCIENCE & TECHNOLOGY OF SOUTHERN PHILIPPINES   | RECOMMENDING APPROVAL:<br><br>ATTY. DONATO BERNAL<br>CHIEF OF OFFICE            | APPROVED BY:<br><br>ATTY. DONATO BERNAL<br>CHIEF OF OFFICE | SHEET CONTENTS:<br>ROOF PLAN   | DRAWN BY: GOME<br>DATE: 20020202<br>CAD BY: ANICET MERI<br>Date Created: 20020202<br>Plot Date: 7/6/22<br>SCALE: 1/16" = 1'-0" |                              |  |  |

NOTE:  
 > ALL DISCREPANCIES IN LENGTH/DIMENSIONS ARE SUBJECTED TO BE CONFIRMED IN SECTIONS. (ANY UNCLEAR/CONFUSING NUMBERS ARE SUBJECTED TO BE RE-EVALUATED BY THE CSWS OFFICE)

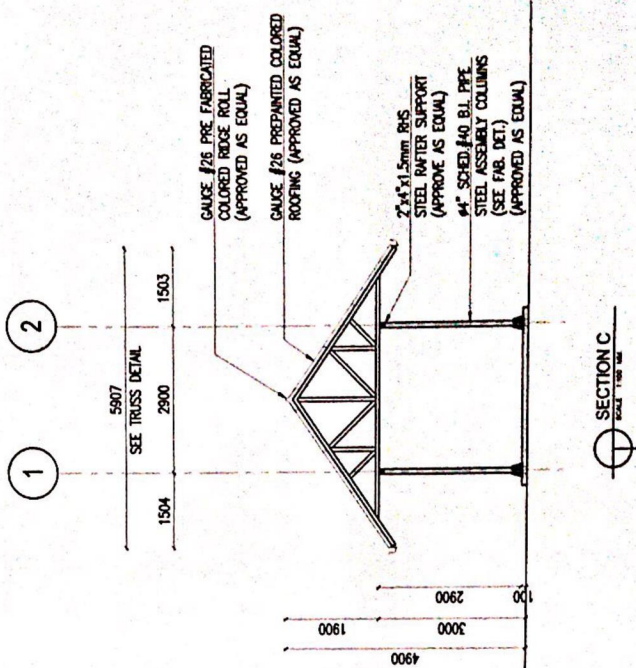
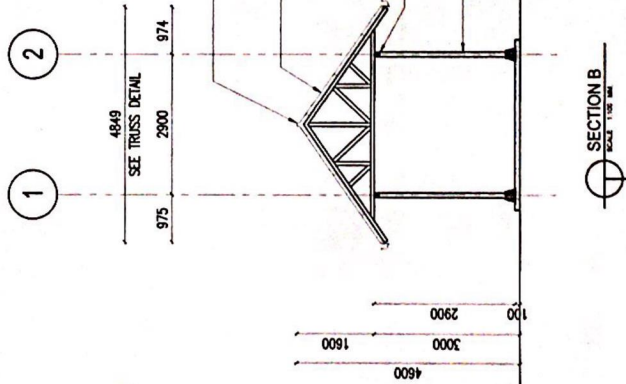
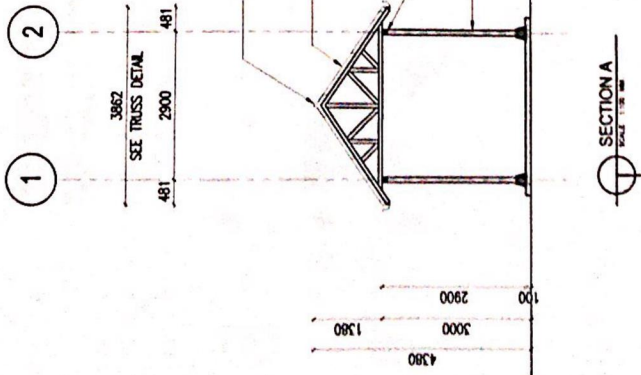


FRONT/REAR ELEVATION  
 SCALE: 1:100 MM

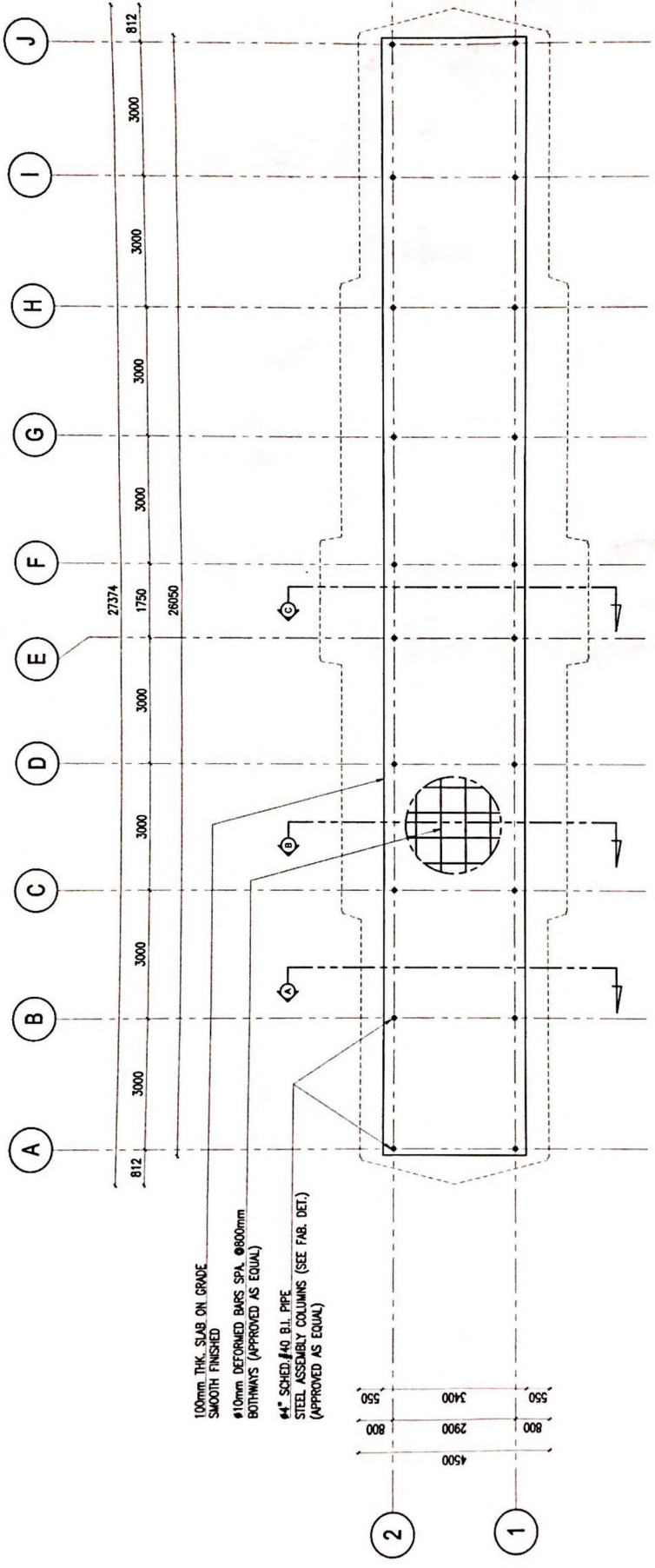
RIGHT/LEFT SIDE ELEVATION  
 SCALE: 1:100 MM

|  |   |  |  |   |   |  |   |                        |
|--|---|--|--|---|---|--|---|------------------------|
| <br><b>USTIP</b><br>UNIVERSITY OF SCIENCE & TECHNOLOGY OF SOUTHERN PHILIPPINES<br>C.M. Recto Avenue, Lapasan, 9000 Cotabato City<br>Tel. Nos. (08822) 74-6648 / (088) 864-1734 / 864-1739<br>9000 Cotabato City, Philippines | PREPARED BY:<br>ENGR. JANATHAN S. OCHOA<br>(PH NO.)<br>(E-MAIL)   | PROJECT:<br><b>PROPOSED STUDENT STUDY SHED-2</b><br>LOCATION: C.M. RECTO AVENUE, LAPASAN, COTABATO CITY<br>OWNER: UNIVERSITY OF SCIENCE & TECHNOLOGY OF SOUTHERN PHILIPPINES | RECOMMENDING APPROVAL:<br><br>R. B. B. B.<br>(PH NO.)<br>(E-MAIL)  | RECOMMENDING APPROVAL:<br>M. M. M. M.<br>(PH NO.)<br>(E-MAIL) | APPROVED BY:<br><br>ATTY. JONATHAN S. OCHOA<br>(PH NO.)<br>(E-MAIL) | SHEET CONTENTS:<br>FRONT/REAR ELEVATION<br>RIGHT/LEFT SIDE ELEVATION | DRAWN BY: OCHOA<br>DATE: 2023/02/22<br>CAD BY: ANTHONY<br>Date Created: 2023/02/22<br>Plot Date: 2023<br>SCALE: 1:100mm | SHEET NO.<br><b>A8</b> |
|  | REPUBLIC OF THE PHILIPPINES<br>UNIVERSITY OF SCIENCE & TECHNOLOGY OF SOUTHERN PHILIPPINES<br>C.M. Recto Avenue, Lapasan, 9000 Cotabato City<br>Tel. Nos. (08822) 74-6648 / (088) 864-1734 / 864-1739<br>9000 Cotabato City, Philippines |  | PROPOSED STUDENT STUDY SHED-2<br>C.M. RECTO AVENUE, LAPASAN, COTABATO CITY<br>UNIVERSITY OF SCIENCE & TECHNOLOGY OF SOUTHERN PHILIPPINES |   | APPROVED BY:<br><br>ATTY. JONATHAN S. OCHOA<br>(PH NO.)<br>(E-MAIL) |  | SHEET CONTENTS:<br>FRONT/REAR ELEVATION<br>RIGHT/LEFT SIDE ELEVATION  |                        |



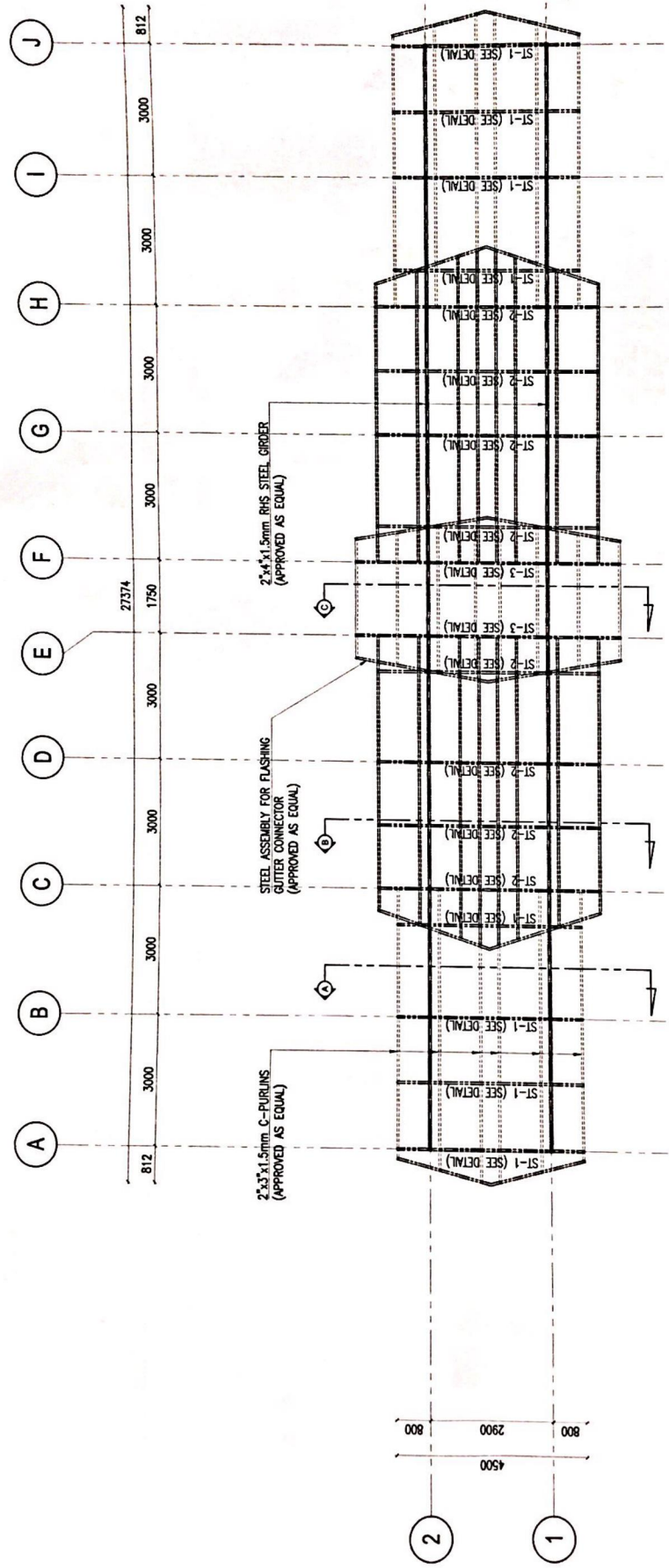


|  |   |   |   |  |  |  |   |                        |
|--|---|---|---|--|--|--|---|------------------------|
|  | UNIVERSITY OF SCIENCE & TECHNOLOGY OF SOUTHERN PHILIPPINES<br>C.M. Recto Avenue, Linaoan, Cagayan de Oro City<br>Tel. No. (088) 854-4099<br>Fax No. (088) 854-4098<br>www.ustp.edu.ph | PREPARED BY:<br>ENGR. ANNE T. MERRA<br>PROJECT NO.: 227<br>SHEET NO.: 1<br>DATE ISSUED: | PROPOSED STUDENT STUDY SHED-2<br>LOCATION: C.M. RECTO AVENUE, LINAOAN, CAGAYAN DE ORO CITY<br>OWNER: UNIVERSITY OF SCIENCE & TECHNOLOGY OF SOUTHERN PHILIPPINES | RECOMMENDING APPROVAL:<br><br>CITY ENGINEER<br>CITY OF LINAOAN | APPROVED BY:<br><br>CITY ENGINEER<br>CITY OF LINAOAN | SHEET CONTAINS:<br>SECTION-A<br>SECTION-B<br>SECTION-C | DRAWN BY: BONE<br>DATE: 2/20/22<br>CAD BY: ANNE T. MERRA<br>Date Checked: 2/20/22<br>Plot Date: 2/22/22<br>SCALE: 1:100mm | SHEET NO.<br><b>A9</b> |
|--|---|---|---|--|--|--|---|------------------------|



STUDY SHED-1 PLATFORM LAYOUT  
SCALE: 1:100 MM

|  |  |   |   |   |   |                                  |  |                        |
|--|--|---|---|---|---|----------------------------------|--|------------------------|
|  | REPUBLIC OF THE PHILIPPINES<br><b>UNIVERSITY OF SOUTHERN PHILIPPINES</b><br>CALAPAN DE ORIO CITY 8000<br>C. P. RECTO AVENUE, LUPATAN 8000 Calapan de Oro City<br>TEL. # 41 (084) 854-4246<br>FAX # 11 (084) 854-4246<br>WWW.USHIP.EDU.PH | PREPARED BY:<br>ENGR. ANGELITO MERRI P.<br>PRG. NO. _____<br>TRN. NO. _____<br>DATE ISSUED: _____ | PROJECT:<br><b>PROPOSED STUDENT STUDY SHED-2</b><br>LOCATION: C.M. RECTO AVENUE, LUPATAN, CALAPAN DE ORIO CITY<br>OWNER: UNIVERSITY OF SCIENCE & TECHNOLOGY OF SOUTHERN PHILIPPINES | RECOMMENDING APPROVAL:<br><br>ATTY. JONATHAN S. OCHO<br>VICE CHIEF OF POLICE OFFICE | APPROVED BY:<br><br>ATTY. JONATHAN S. OCHO<br>VICE CHIEF OF POLICE OFFICE | SHEET CONTENTS:<br>PLATFORM PLAN | DRAWN BY: OCHO<br>DATE: 20/02/2022<br>CAD BY: JONATHAN S. OCHO<br>DATE: 20/02/2022<br>FILE NAME: 79422<br>SCALE: 1:100mm | SHEET NO.<br><b>S1</b> |
|--|--|---|---|---|---|----------------------------------|--|------------------------|



STUDY SHED-1 ROOF FRAMING PLAN  
SCALE: 1:200

|   |  |  |   |  |
|---|--|--|---|--|
| REPUBLIC OF THE PHILIPPINES<br><b>UNIVERSITY OF SCIENCE &amp; TECHNOLOGY OF SOUTHERN PHILIPPINES</b><br>CAGAYAN DE ORO CITY 8000<br>C. M. Recto Avenue, Lapanan, Cagayan de Oro City<br>Tel. Nos. (08822) 74-86-85 / (088) 854-175 / 854-176<br>Fax No. (08822) 74-86-85<br>Web Site: www.ustp.edu.ph | PROJECT<br><b>PROPOSED STUDENT STUDY SHED-2</b>  | SHEET CONTENTS<br>STUDY SHED-1 ROOF FRAMING PLAN               | DRAWN BY: OCME<br>DATE: 20/02/2022<br>CAD BY: 20/02/2022<br>URM Checked: 20/02/2022<br>Prof. Date: 7/6/22<br>SCALE: 1:100mm | SHEET NO.<br><b>S2</b>   |
|   | PREPARED BY:<br>ENGR. ANJELITA NERI P.<br>SEC. 1<br>PROJ. NO.:<br>SHEET NO.:<br>DATE ISSUED: | RECOMMENDING APPROVAL:<br><br>ENGR. ANJELITA NERI P.<br>SEC. 1 | APPROVED BY:<br><br>ATTY. JANINE O. ALIBINA<br>REGISTERED ATTORNEY  | RECOMMENDING APPROVAL:<br><br>ATTY. JANINE O. ALIBINA<br>REGISTERED ATTORNEY |



