

PERSPECTIVE
DRAWN NOT TO SCALE



REPUBLIC OF THE PHILIPPINES
UNIVERSITY OF SCIENCE & TECHNOLOGY OF SOUTHERN PHILIPPINES
CAGAYAN DE ORO CITY 9000
C.M. RECTO AVENUE, LAPASAN 9000 CAGAYAN DE ORO CITY
Tel. Nos: (0842) 72-60-65 / (084) 854-1738 / 854-1739
Tele Fax: (083) 854-4694
Web Site: WWW.USTIP.EDU.PH

PREPARED BY: *[Signature]*
ENGR. EDGIN LLOYD BARRAS
PTR NO.:
DATE ISSUED: *[Signature]*

PROJECT: **PROPOSED COT PAT RENOVATION**
LOCATION: C.M. RECTO AVENUE, LAPASAN, CAGAYAN DE ORO CITY
OWNER: UNIVERSITY OF SCIENCE & TECHNOLOGY OF SOUTHERN PHILIPPINES

RECOMMENDING APPROVAL:
[Signature]
DR. RUVEL J. QUASITO SR., PECE
DEAN, COLLEGE OF TECHNOLOGY

RECOMMENDING APPROVAL:
[Signature]
ATTY. JONATHAN S. OCHE
VICE CHANCELLOR FOR FINANCE & ADMINISTRATION

APPROVED BY: *[Signature]*
ATTY. DIOMELO ALBINA
CHANCELLOR (USTP-CEO)

SHEET CONTENTS:
PERSPECTIVE

DRAWN BY: DATE: 7/27/2023
CAD BY:
Plot Date: 10/25/23
SCALE: NTS

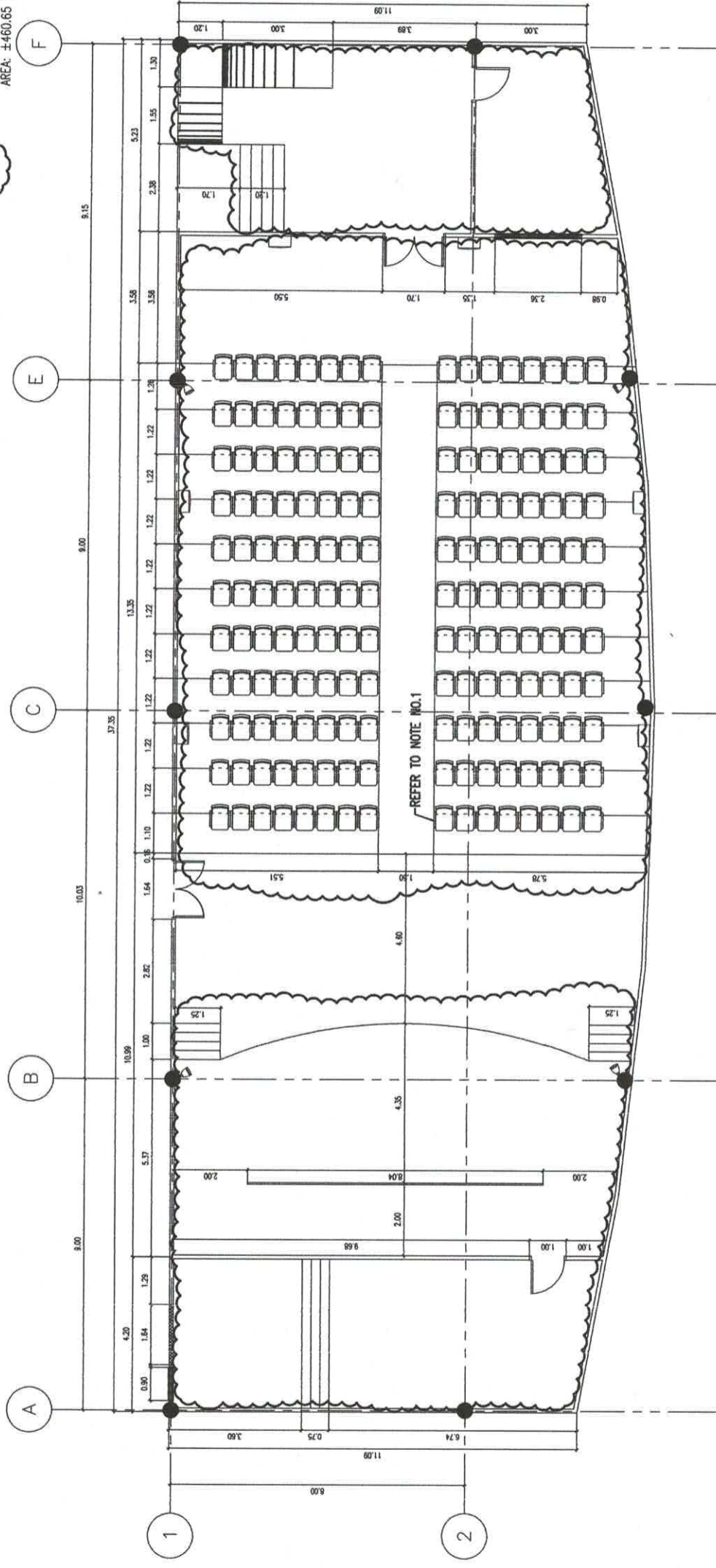
A
1 10

NOTE:

- RE-USE EXISTING CINEMA CHAIR/S. ANY DAMAGES UPON REMOVAL OF EXISTING CINEMA CHAIR/S SHALL BE REPLACED W/ NEW CINEMA CHAIR/S (APPROVED AS EQUAL).

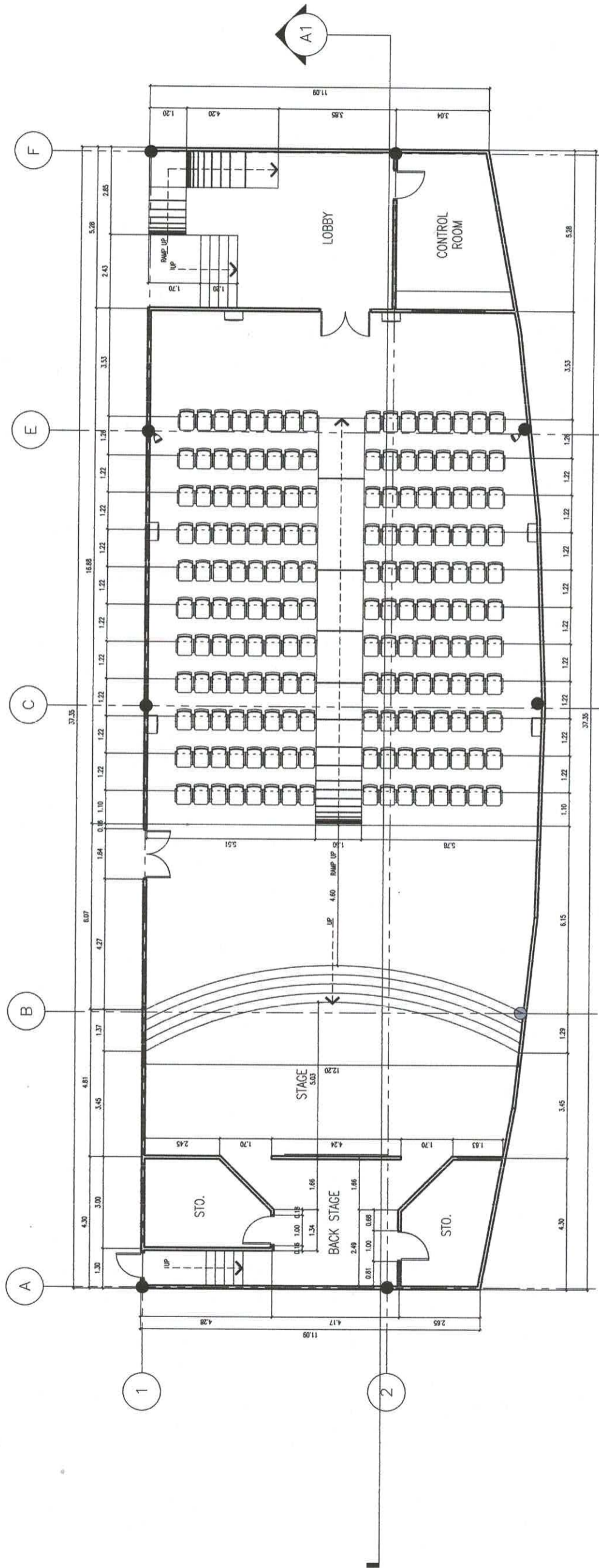
LEGEND

- DEMOLITION WORKS FOR NEW DOOR OPENING
AREA: ±1.85 SQ.M.
- PATCHING OF EXISTING DOOR OPENING
AREA: ±3.44 SQ.M.
- DEMOLITION WORKS FOR NEW STAGE AND PLATFORMS
AREA: ±460.65 SQ.M.



FLOOR DEMOLITION WORKS
SCALE: 1:150 MTS.

	C.I. RECTO AVENUE, LAPASAN 9000 CAGAYAN DE ORO CITY TEL. NOS. (0822) 72-60-65 / (081) 856-1738 / 854-1739 TELE FAX (081) 854-4946 WEB SITE - WWW.USTIP.EDU.PH	PREPARED BY: ENGR. EDGEM LLOYDS B. BACABIS (PROJ. CHIEF)	PROJECT: PROPOSED COT PAT RENOVATION	RECOMMENDING APPROVAL: DR. RUYEL J. CASITO SR., PECE DEAN, COLLEGE OF TECHNOLOGY	RECOMMENDING APPROVAL: ATTY. JONATHAN S. OCHE VICE-CHANCELLOR FOR FINANCE & ADMINISTRATION	APPROVED BY: ATTY. DIANEL O. ALBINA CHANCELLOR, USTIP-CDO	SHEET CONTENTS: FLOOR DEMOLITION WORKS	DRAWN BY: DATE: 7/27/2023 CAD BY: Plot Date: 10/25/23 SCALE: 1:150 MTS.	SHEET NO. <div style="border: 1px solid black; padding: 5px; display: inline-block;"> A 2 / 10 </div>
---	--	--	---	--	--	---	---	---	---



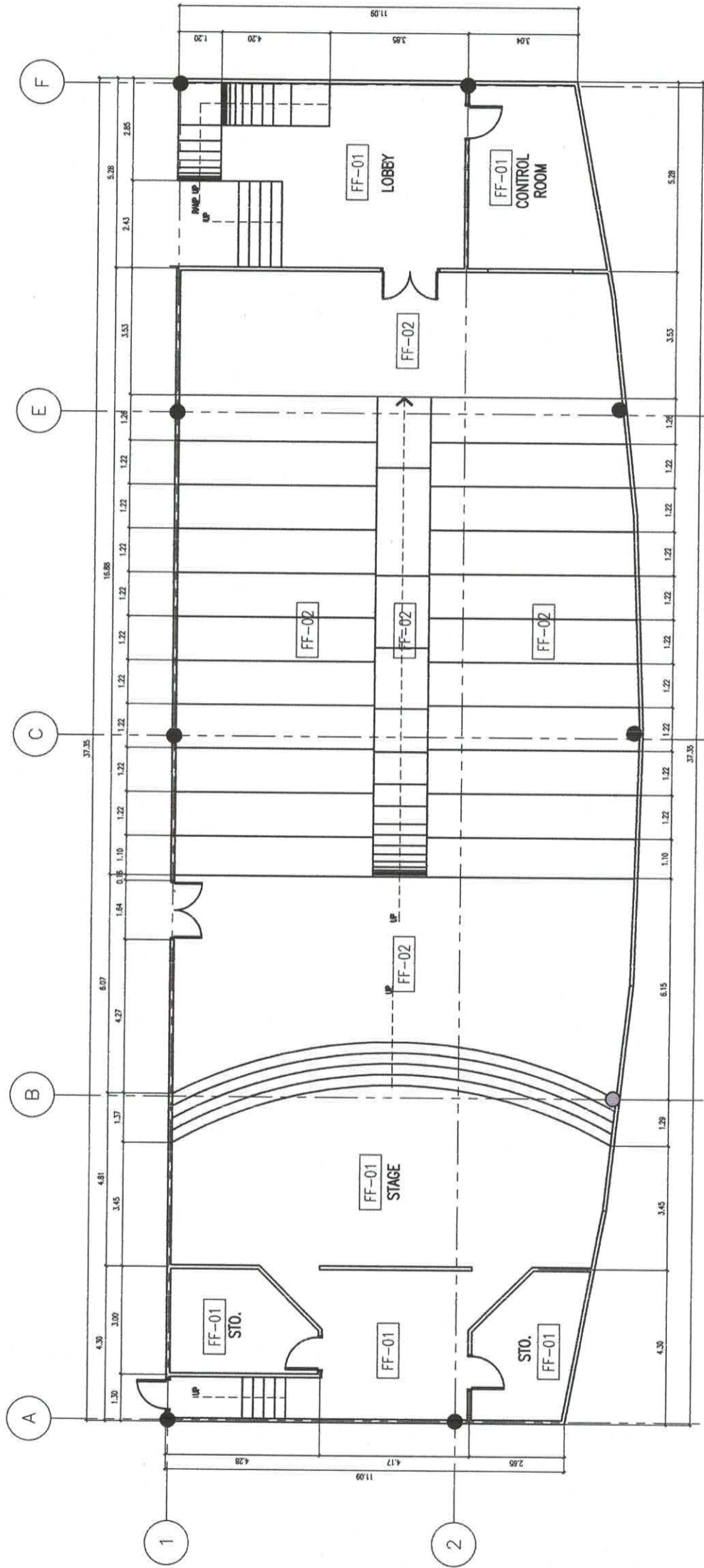
PROPOSED COT PAT FLOOR PLAN
SCALE: 1:150 MTS.

	REPUBLIC OF THE PHILIPPINES UNIVERSITY OF SCIENCE & TECHNOLOGY OF SOUTHERN PHILIPPINES CAGAYAN DE ORO CITY 9000 C.M. RECTO AVENUE, LAPASAN 9005 CAGAYAN DE ORO CITY TEL. Nos. (08822) 72-50-55 / (088) 856-1738 / 854-1739 TELE FAX (088) 856-4696 WEB SITE : WWW.USTP.EDU.PH	PREPARED BY : ENGR. EDGER MOYDA / BLS/ABTS PRC NO. : DTN NO. :	PROJECT PROPOSED COT PAT RENOVATION	LOCATION C.M. RECTO AVENUE, LAPASAN, CAGAYAN DE ORO CITY	OWNER UNIVERSITY OF SCIENCE & TECHNOLOGY OF SOUTHERN PHILIPPINES	SEAL	RECOMMENDING APPROVAL: DR. RUVEL CUANSITO SR., PECE DEAN, COLLEGE OF TECHNOLOGY	RECOMMENDING APPROVAL: ATTY. JONATHAN S. OCHE VICE CHANCELLOR FOR FINANCE & ADMINISTRATION	SHEET CONTENTS: PROPOSED COT PAT FLOOR PLAN	DRAWN BY: DATE: 7/27/2023	SHEET NO. A 3 10
	UNIVERSITY OF SCIENCE & TECHNOLOGY OF SOUTHERN PHILIPPINES CAGAYAN DE ORO CITY 9000 C.M. RECTO AVENUE, LAPASAN 9005 CAGAYAN DE ORO CITY TEL. Nos. (08822) 72-50-55 / (088) 856-1738 / 854-1739 TELE FAX (088) 856-4696 WEB SITE : WWW.USTP.EDU.PH	PREPARED BY : ENGR. EDGER MOYDA / BLS/ABTS PRC NO. : DTN NO. :	PROJECT PROPOSED COT PAT RENOVATION	LOCATION C.M. RECTO AVENUE, LAPASAN, CAGAYAN DE ORO CITY	OWNER UNIVERSITY OF SCIENCE & TECHNOLOGY OF SOUTHERN PHILIPPINES	SEAL	RECOMMENDING APPROVAL: DR. RUVEL CUANSITO SR., PECE DEAN, COLLEGE OF TECHNOLOGY	RECOMMENDING APPROVAL: ATTY. JONATHAN S. OCHE VICE CHANCELLOR FOR FINANCE & ADMINISTRATION	SHEET CONTENTS: PROPOSED COT PAT FLOOR PLAN	DRAWN BY: DATE: 7/27/2023	SHEET NO. A 3 10

LEGEND

FF-01 - 150x900 VINYL TILES GLUED TO 3/4" THK. MARINE PLYBOARD ON STEEL FRAME DESIGN - REFER TO ARCHITECT (APPROVED AS EQUAL)

FF-02 - 450x450 VINYL CARPET TILE (SEE PERSPECTIVE) SPECIFICATION - REFER TO ARCHITECT (APPROVED AS EQUAL)

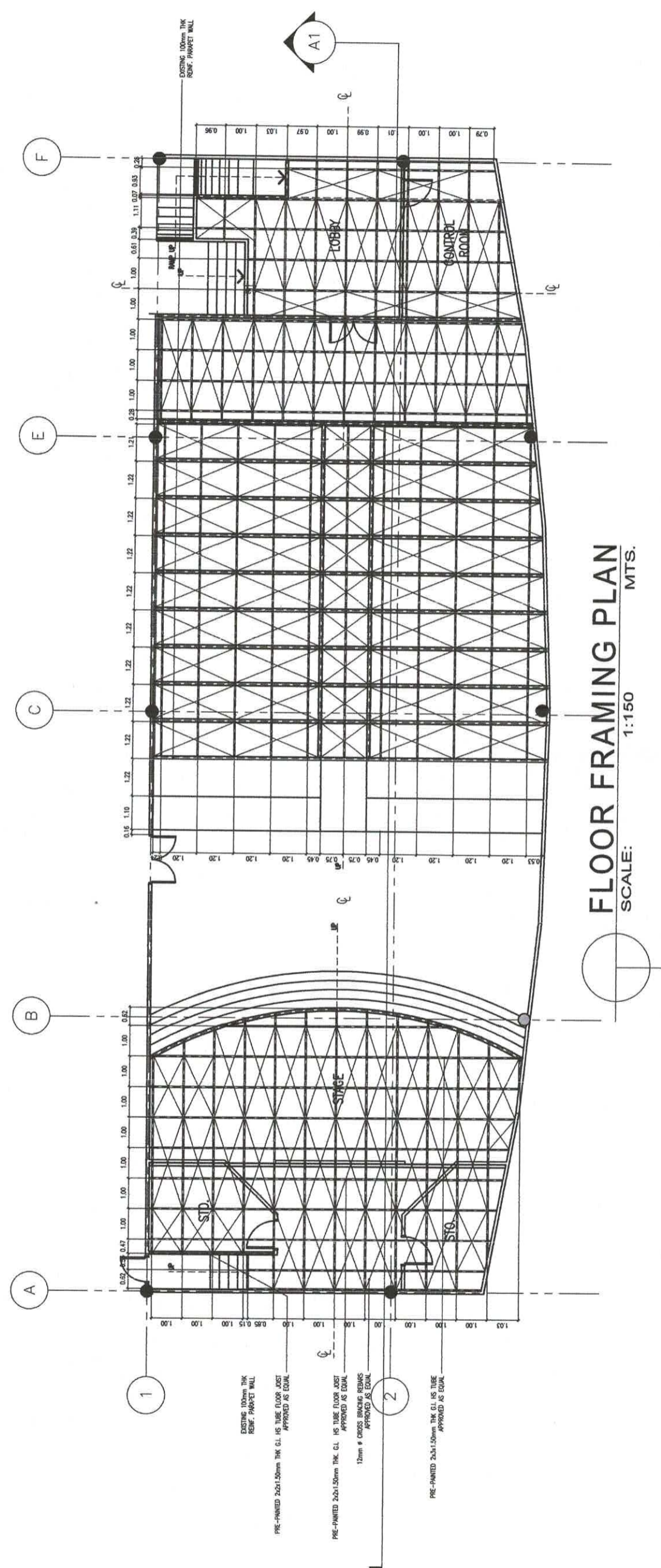


FINISH FLOOR PLAN
SCALE: 1:150 MTS.

	REPUBLIC OF THE PHILIPPINES UNIVERSITY OF SCIENCE & TECHNOLOGY OF SOUTHERN PHILIPPINES CAGAYAN DE ORO CITY 8000 C.M. RECTO AVENUE, LAPASAN, 8000 CAGAYAN DE ORO CITY TEL. NO. (0822) 52-64-65 / (082) 526-7132 / 755-7129 TELE FAX (083) 54-44-94 WEB SITE: WWW.USTIP.EDU.PH	PREPARED BY: ENGR. EDGAR LLOYD S. BALOGS LEAD DESIGNER PTR NO.: DATE ISSUED:	PROJECT PROPOSED COT PAT RENOVATION	RECOMMENDING APPROVAL: DEAN RIVALDO CUSTODIO SR., PECE DEAN, COLLEGE OF TECHNOLOGY UNIVERSITY OF SCIENCE & TECHNOLOGY OF SOUTHERN PHILIPPINES	RECOMMENDING APPROVAL: ATTY. JONATHAN S. OCHE VICE CHANCELLOR FOR FINANCE & ADMINISTRATION	APPROVED BY: ATTY. DIONEL O. ALBINA CHANCELLOR, USTIP-CDO	SHEET CONTENTS: FINISH FLOOR PLAN	DRAWN BY: DATE: 7/27/2023 CAD BY: PLOT DATE: 10/25/23 SCALE: 1:150 MTS.	SHEET NO. A 4 10
--	--	--	--	--	--	---	--------------------------------------	---	---------------------------

NOTE:
 1. REPLACE DAMAGED CEILING BOARDS AND LIGHT METAL FRAMES (AS SHOWN IN THE DRAWING).
 2. NEW AND EXISTING CEILING BOARDS MUST BE PAINTED.
 3. ALL STEEL WORKS MUST BE PRE-PAINTED.

LEGEND
 ☉ CENTER LINE



FLOOR FRAMING PLAN
 SCALE: 1:150 MTS.

REPUBLIC OF THE PHILIPPINES
 UNIVERSITY OF SCIENCE & TECHNOLOGY OF SOUTHERN PHILIPPINES
 CAGAYAN DE ORO CITY 9000
 C.N. RECTO AVENUE, LAPASAN 9000 CAGAYAN DE ORO CITY
 TEL. NO. (08822) 72-00-65 / (088) 856-1738 / 856-1739
 TEL. FAX (088) 856-4696
 WEB SITE : WWW.USTP.EDU.PH

PREPARED BY:
 ENGR. EDGEN LIND S. BALOGS
 PRC NO. :
 PTR NO. :
 DATE ISSUED :
 TIN NO. :

PROJECT
 PROPOSED COT PAT RENOVATION
 LOCATION
 C.M. RECTO AVENUE, LAPASAN, CAGAYAN DE ORO CITY
 OWNER
 UNIVERSITY OF SCIENCE & TECHNOLOGY OF SOUTHERN PHILIPPINES

RECOMMENDING APPROVAL:
 DR. RUVEL J. CUASITO SR., PECE
 DEAN, COLLEGE OF TECHNOLOGY

RECOMMENDING APPROVAL:
 ATTY. JONATHAN S. OCHE
 VICE-CHANCELLOR FOR FINANCE & ADMINISTRATION

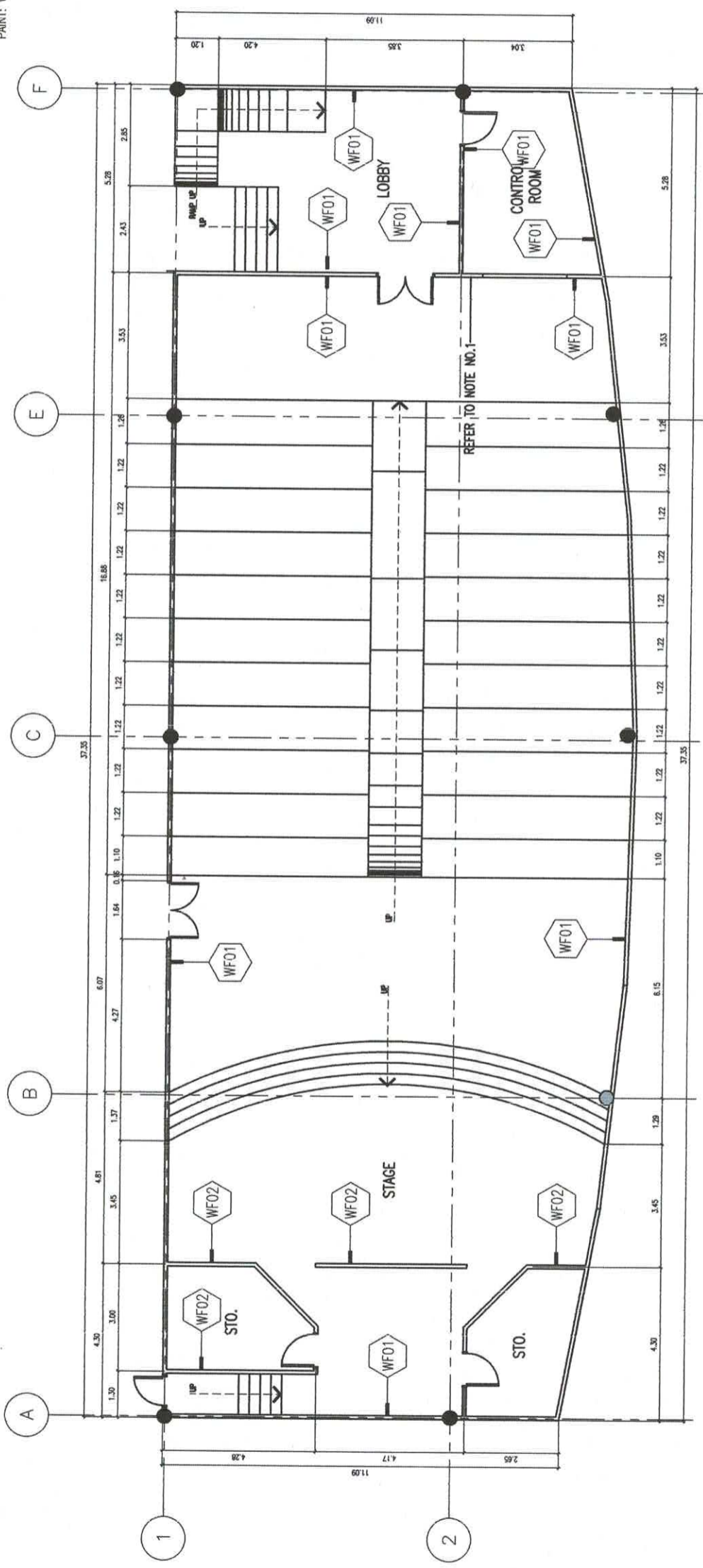
APPROVED BY:
 ATTY. DANIEL O. ALBINA
 CHANCELLOR, USTP-000

SHEET CONTENTS:
 FLOOR FRAMING PLAN


DRAWN BY:
 DATE: 7/27/2023
 CAD BY:
 Plot Date: 10/25/23
 SCALE: 1:150 MTS.
 SHEET NO.
 A
 5 10

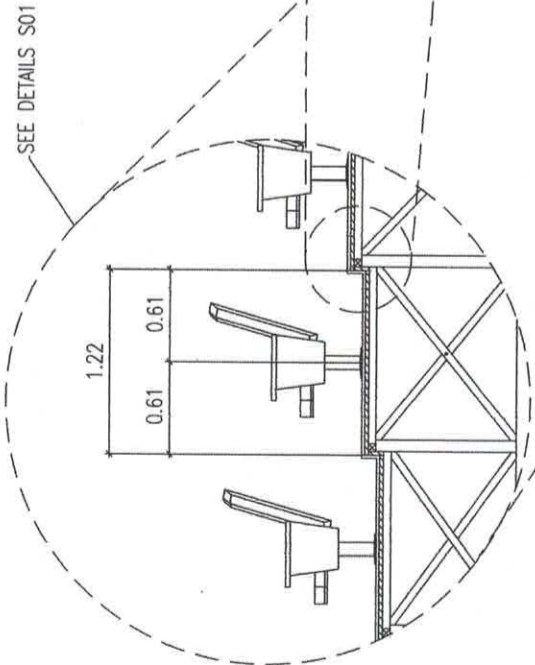
NOTE:
1. EXISTING PARTITION WALL MUST BE VERIFIED.

- WF01 - REPAINT EXISTING WALL
PAINT: WHITE (GLOSSY)
- WF02 - NEW 3/4" THK FICEM BOARD ON METAL STUDS & TRACKS
PAINT: WHITE (GLOSSY)

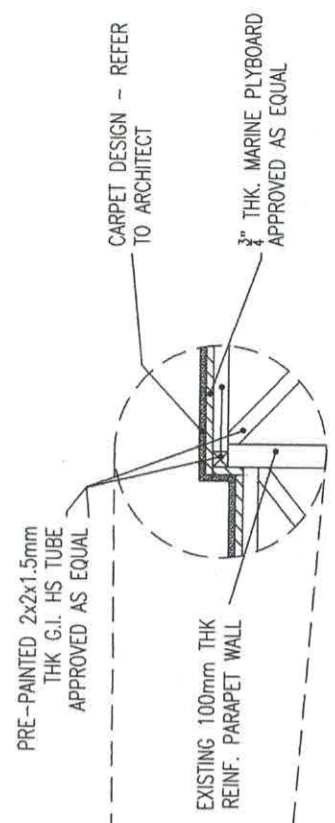


FINISH WALL PLAN
SCALE: 1:150 MTS.

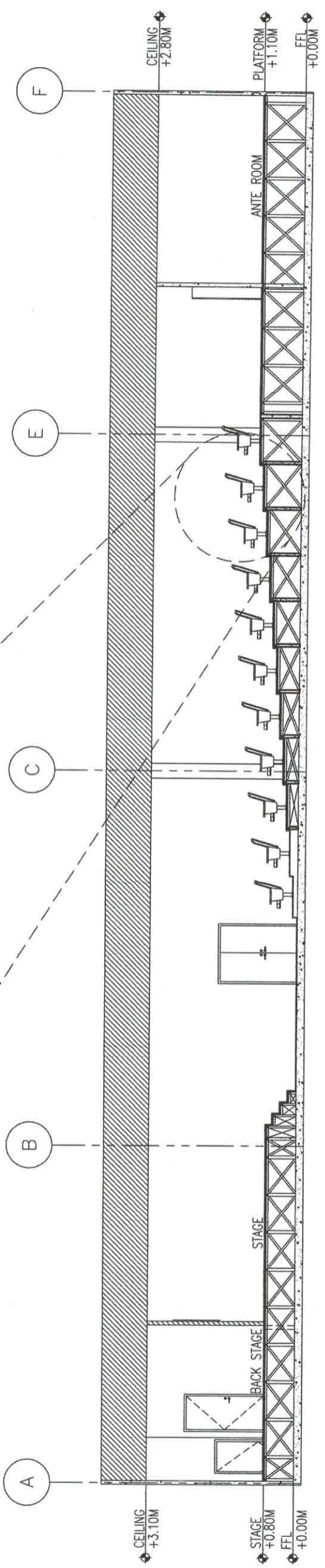
	<p>REPUBLIC OF THE PHILIPPINES UNIVERSITY OF SCIENCE & TECHNOLOGY OF SOUTHERN PHILIPPINES CAGAYAN DE ORO CITY 6000</p> <p>C.M. RECTO AVENUE, LAPASAN 9000 CAGAYAN DE ORO CITY TEL. NOS. (0822) 72-60-65 / (082) 856-1738 / 856-1729 TELE FAX (082) 856-4496 WEB SITE : WWW.USTIP.EDU.PH</p>	<p>PREPARED BY : <i>[Signature]</i> ENGR. EDGEN LLOYD S. BALABIS FIELD OFFICE</p> <p>PRC NO. : PTR NO. : DATE ISSUED :</p>	<p>PROJECT PROPOSED COT PAT RENOVATION</p> <p>LOCATION C.M. RECTO AVENUE, LAPASAN, CAGAYAN DE ORO CITY</p> <p>OWNER UNIVERSITY OF SCIENCE & TECHNOLOGY OF SOUTHERN PHILIPPINES</p>	<p>RECOMMENDING APPROVAL: <i>[Signature]</i> DR. RUVEN CUASITO SR., PECE DEAN, COLLEGE OF TECHNOLOGY</p>	<p>RECOMMENDING APPROVAL: <i>[Signature]</i> ATTY. ANATHAN S. OCHE VICE CHANCELLOR FOR FINANCE & ADMINISTRATION</p>	<p>APPROVED BY: <i>[Signature]</i> ATTY. DIORDEL O. ALBINA CHANCELLOR, USTIP-ODO</p>	<p>SHEET CONTENTS: FINISH WALL PLAN</p> <p>DRAWN BY: DATE: 7/27/2023 CAD BY: Plot Date: 10/25/23 SCALE: 1:150 MTS.</p>	<p>SHEET NO. A 6 / 10</p>
---	---	--	---	--	---	--	--	--



BLOW-UP DETAIL
SCALE: 1:50 MTS.



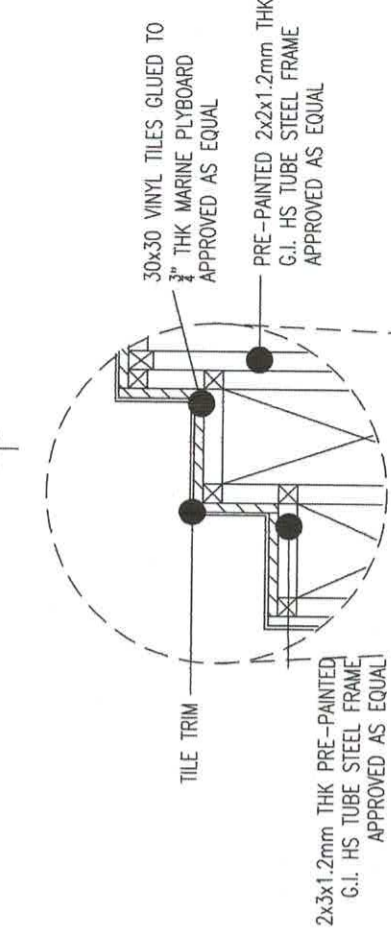
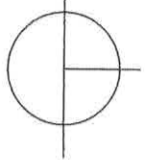
DETAIL S01
SCALE: 1:25 MTS.



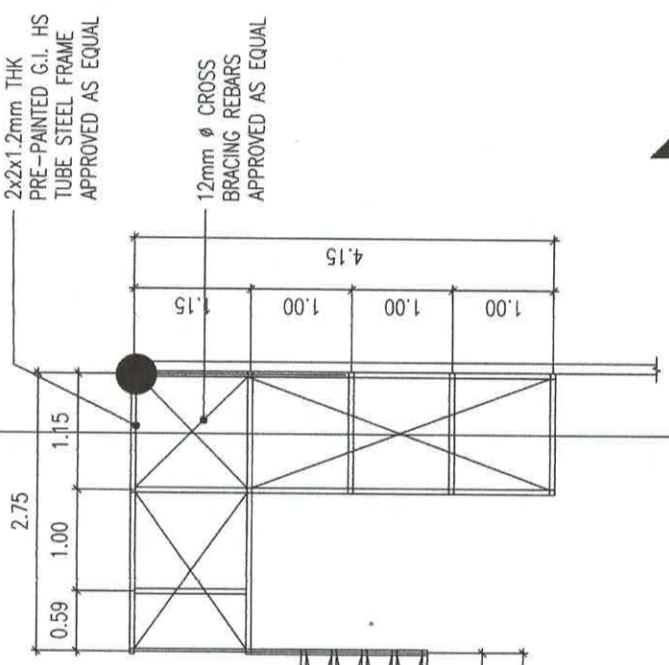
SECTION CUT THROUGH A1
SCALE: 1:125 MTS.

	REPUBLIC OF THE PHILIPPINES UNIVERSITY OF SCIENCE & TECHNOLOGY OF SOUTHERN PHILIPPINES CAGAYAN DE ORO CITY 8000 C.M. RECTO AVENUE, LAPASAN, CAGAYAN DE ORO CITY TEL. NO. (0822) 72-60-65 / (08) 854-1738 / 854-1739 TEL. FAX (082) 854-1804 WEB SITE : WWW.USTIP.EDU.PH	PREPARED BY : ENGR. EDGEN L. BALABIS PROJECT ENGINEER	PROJECT : PROPOSED COT PAT RENOVATION	RECOMMENDING APPROVAL : DR. RIVEL J. CASTILLO SR., PECE DEAN, COLLEGE OF TECHNOLOGY	RECOMMENDING APPROVAL : ATTY. JONATHAN S. OCHE VICE CHANCELLOR FOR FINANCE & ADMINISTRATION	APPROVED BY : ATTY. DIONEL ALBINA CHANCELLOR, USTIP-COO	SHEET CONTENTS: SECTION CUT THROUGH A1 BLOW-UP DETAIL DETAIL S01	DRAWN BY: DATE: 7/27/2023 CAD BY: PLOT DATE: 10/25/23 SCALE: VARIES	SHEET NO. <div style="border: 1px solid black; padding: 5px; display: inline-block;"> A <hr/> 7 / 10 </div>
	LOCATION : C.M. RECTO AVENUE, LAPASAN, CAGAYAN DE ORO CITY OWNER : UNIVERSITY OF SCIENCE & TECHNOLOGY OF SOUTHERN PHILIPPINES	SEAL :	PRC NO. : DATE ISSUED :	TIN NO. :					

DETAIL S02
SCALE: 1:20 MTS.



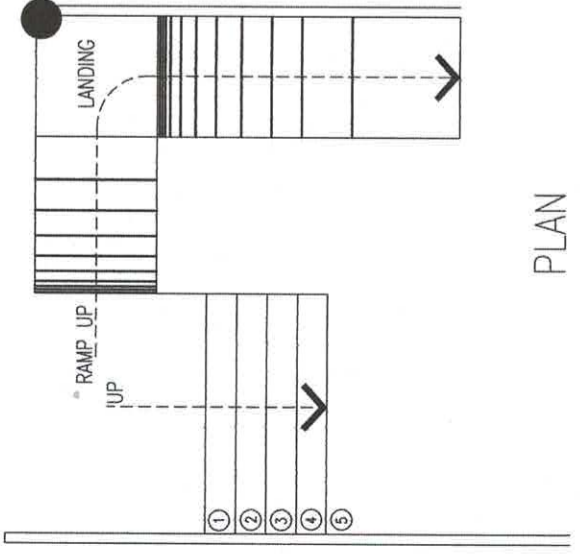
2x3x1.2mm THK PRE-PAINTED G.I. HS TUBE STEEL FRAME APPROVED AS EQUAL



A3

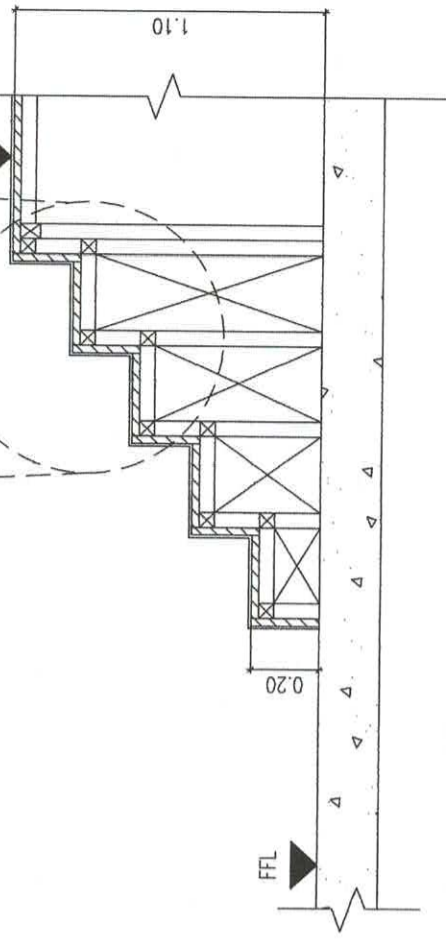
STAIR/RAMP FRAMING

A4

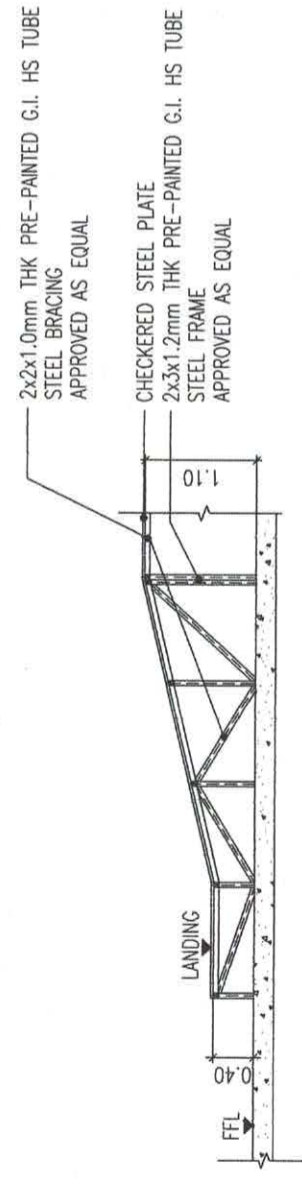
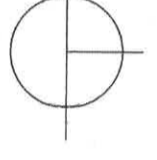


PLAN

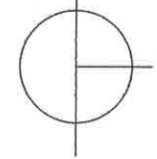
SEE DETAILS S02



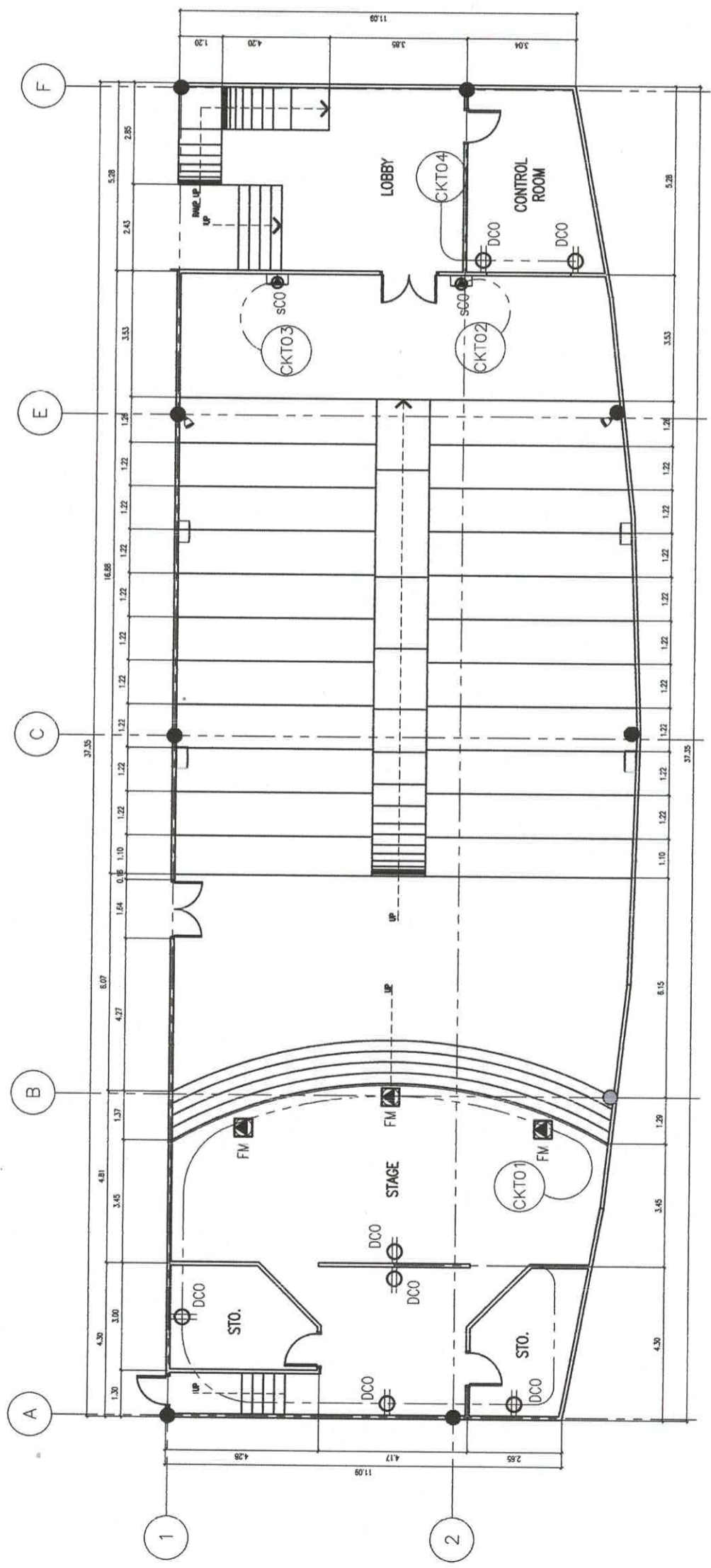
SECTION CUT THROUGH A4
SCALE: 1:25 MTS.



SECTION CUT THROUGH A3
SCALE: 1:75 MTS.



	REPUBLIC OF THE PHILIPPINES UNIVERSITY OF SCIENCE & TECHNOLOGY OF SOUTHERN PHILIPPINES CAGAYAN DE ORO CITY 9000 C.M. RECTO AVENUE, LAPASAN 9000 CAGAYAN DE ORO CITY TEL NO. (0822) 72-6045 / (082) 855-1738 / 855-1759 FAX NO. (082) 858-6095 WEB SITE: www.ustip.edu.ph	PREPARED BY: ENGR. EDGEN LLOYD S. BALABIS REG. NO. 101-101-101-101 DATE ISSUED:	PROJECT PROPOSED COT PAT RENOVATION	RECOMMENDING APPROVAL: DR. RUVEL J. CASITO SR., PECE DEAN, COLLEGE OF TECHNOLOGY	RECOMMENDING APPROVAL: ATTY. JONATHAN S. OCHE VICE-CHANCELLOR FOR FINANCE & ADMINISTRATIVE	APPROVED BY: ATTY. JONATHAN S. OCHE VICE-CHANCELLOR FOR FINANCE & ADMINISTRATIVE	SHEET CONTENTS: SECTION CUT THROUGH A3 SECTION CUT THROUGH A4 DETAIL S02	DRAWN BY: DATE: 7/27/2023 CAD BY: PLOT DATE: 10/25/23 SCALE: VARIES	SHEET NO. A 9 / 10
--	--	--	---	--	--	--	---	---	---

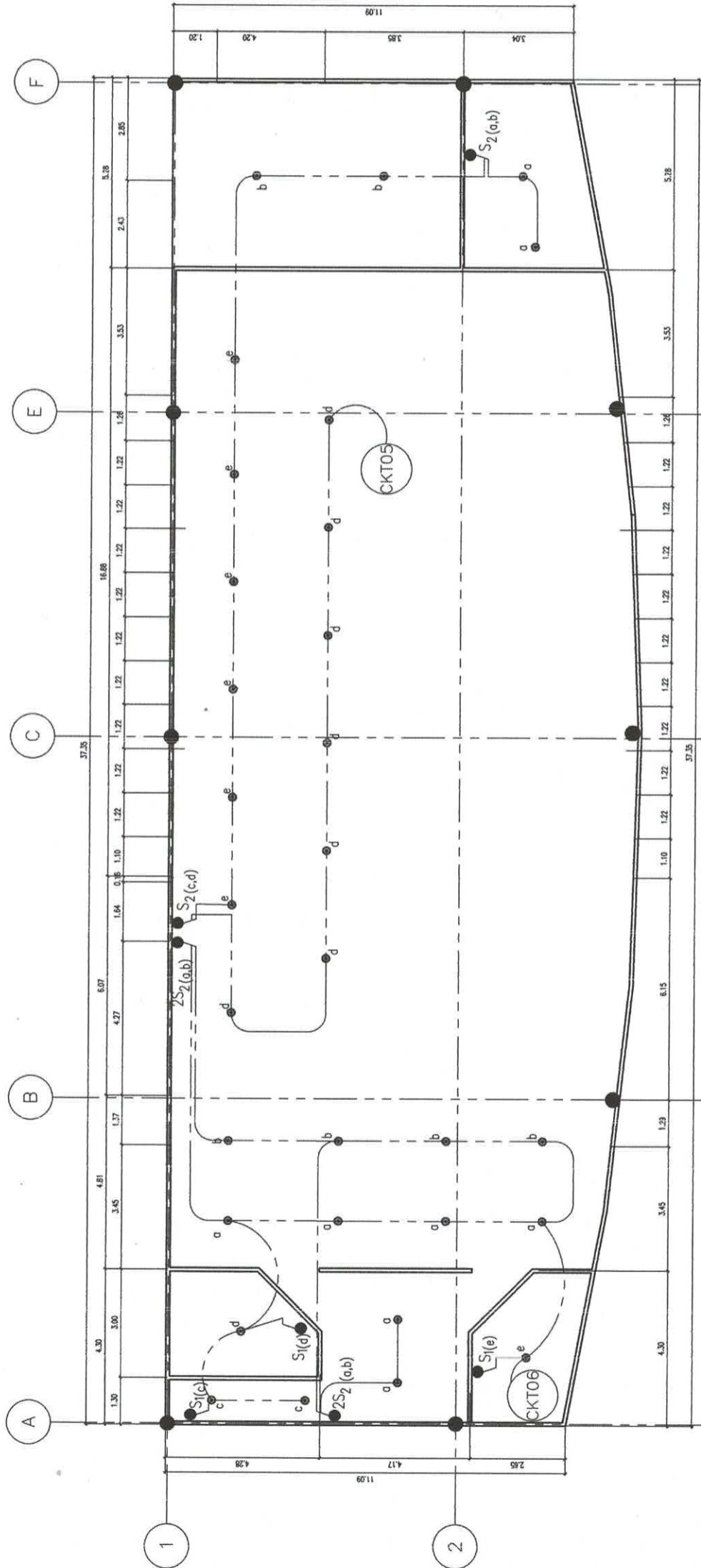


NOTE:
 1. ALL NEW ELECTRICAL FIXTURES AND CONNECTIONS MUST BE TAPPED TO NEAREST CIRCUITS.
 2. CIRCUIT BREAKERS ARE PART OF THE ACQUISITION OF THE PROJECT.
 3. ALL ELECTRICAL WORKS SHOULD CONFORM TO THE STANDARD SET BY USTP-NEWU.
 4. CONVENIENCE OUTLET HEIGHTS - REFER TO ARCHITECT

- CKT - CIRCUIT NUMBER ASSIGNMENT
- ⊕ DCO - DUPLEX CONVENIENCE OUTLET
- ⊕ sCO - ACU SPECIAL CONVENIENCE OUTLET
- ⊕ FM - FLOOR MOUNTED OUTLET
- ⊖ - CONCEALED ELECTRICAL WIRE

POWER OUTLET PLAN
 SCALE: 1:150 MTS.

	REPUBLIC OF THE PHILIPPINES UNIVERSITY OF SCIENCE & TECHNOLOGY OF SOUTHERN PHILIPPINES CAGAYAN DE ORO CITY 9000 <small>C/O: Recto Avenue, Lapasan, 9000 Cagayan de Oro City TEL. No. (08622) 72-60-65 / (086) 755-7735 / 85-4759 FAX No. (086) 855-4596 Web Site: www.usstp.edu.ph</small>	PREPARED BY: ENGR. EDGELM LLOYD S. BALANIS <small>HEAD/CSAW</small> PRC NO.: PTR NO.: TIN NO.: DATE ISSUED:	PROJECT PROPOSED COT PAT RENOVATION LOCATION: C.M. RECTO AVENUE, LAPASAN, CAGAYAN DE ORO CITY OWNER: UNIVERSITY OF SCIENCE & TECHNOLOGY OF SOUTHERN PHILIPPINES	RECOMMENDING APPROVAL: ATTY. JONATHAN S. OCHO <small>VICE CHANCELLOR FOR FINANCE & ADMINISTRATION</small>	RECOMMENDING APPROVAL: ATTY. DIONEL O. ALBINA <small>CHANCELLOR, USTP-000</small>	SHEET CONTENTS: POWER OUTLET PLAN	DRAWN BY: DATE: 7/27/2023 CAD BY: PLOT DATE: 10/25/23 SCALE: 1:150 MTS.	SHEET NO. <div style="border: 1px solid black; padding: 5px; display: inline-block;"> 1 2 S </div>
--	--	---	---	---	---	--------------------------------------	---	--



NOTE:
 1. CIRCUIT BREAKERS ARE PART OF THE ACQUISITION OF THE PROJECT.
 2. ALL ELECTRICAL WORKS SHOULD CONFORM TO THE STANDARD SET BY USTP-MEWU.
 3. CONVENIENCE OUTLET HEIGHTS - REFER TO ARCHITECT

- CIRCUIT NUMBER ASSIGNMENT
- CKT_
 - 4" 25W FROSTED RECESSED DOWNLIGHT
COLOR: DAYLIGHT
 - S1 ONE GANG SWITCH
 - S2 TWO GANG SWITCH
 - 2S2 TWO-WAY GANG SWITCH
 - CONCEALED ELECTRICAL WIRE
 - (a,b) SWITCH DESTINATION

LIGHTING OUTLET PLAN
 SCALE: 1:150 MTS.

PREPARED BY: ENGR. EDGER LLOYD S. BALWIS (PTR NO. : DATE ISSUED :	PROJECT: PROPOSED COT PAT RENOVATION	RECOMMENDING APPROVAL: DR. RIVAL J. QUASTO SR., PECE <small>DEAN, COLLEGE OF TECHNOLOGY</small>	RECOMMENDING APPROVAL: ATTY. JONATHAN S. OCHE <small>VICE CHANCELLOR FOR FINANCE & ADMINISTRATION</small>	APPROVED BY: ATTY. DANIEL O. ALBINA <small>CHANCELLOR, USTP-DOO</small>	SHEET CONTENTS: LIGHTING OUTLET PLAN	DRAWN BY: DATE: 7/27/2023	SHEET NO. <div style="border: 1px solid black; padding: 5px; display: inline-block;"> S 2 2 </div>
						USTP <small>UNIVERSITY OF SOUTHERN TROPICAL PHILIPPINES</small>	