

**TABLE OF CONTENTS**

- A0 LOCATION PLAN
- VICINITY MAP
- PERSPECTIVE
- A3 FLOOR PLAN
- A4 ROOF PLAN
- REFLECTED CEILING PLAN

REPUBLIC OF THE PHILIPPINES  
OFFICE OF THE BUILDING OFFICIAL



REPUBLIC OF THE PHILIPPINES  
UNIVERSITY OF SCIENCE AND TECHNOLOGY OF SOUTHERN PHILIPPINES  
CAGAYAN DE ORO CAMPUS  
OFFICE OF ARCHITECTURE, PLANNING AND FACILITY DEVELOPMENT UNIT  
CLASSIC HALL 1000 UNIVERSITY AVENUE, CAGAYAN DE ORO CITY 9000  
TELEPHONE: 08832 70-00-00 / 08832 000-0000 / 08832 000-0000 | FAX: 08832 000-0000  
WWW.USTIP.USTP.EDU.PH

**DR. JEFFERSON L. TALA**  
ARCHITECT

PROJECT NO. \_\_\_\_\_ PERM. NO. \_\_\_\_\_  
DATE \_\_\_\_\_ PLACE \_\_\_\_\_

**PROPOSED PROJECT MANAGEMENT OFFICE PHASE 2**

LOCATION: NEW ALIBON CAMPUS, LOURDES, ALIBON, MISAMIS ORIENTAL  
OWNER: UNIVERSITY OF SCIENCE AND TECHNOLOGY OF SOUTHERN PHILIPPINES

DESIGN/CONSTRUCTION APPROVAL:  
**DR. ERDMUND L. OMBING**  
DIRECTOR, UNIVERSITY OF SCIENCE AND TECHNOLOGY OF SOUTHERN PHILIPPINES

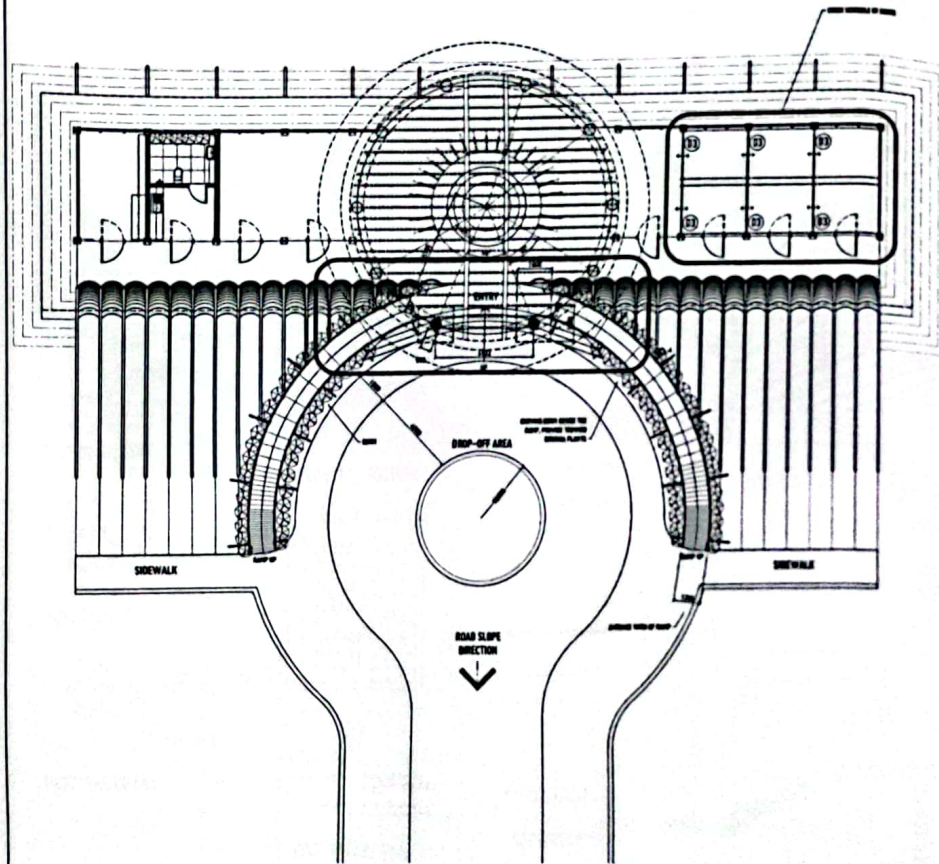
RECOMMENDING APPROVAL:  
**ATTY. ERWIN B. BULCO**  
VP FOR ARCHITECTURE & ENGINEERING

APPROVED BY:  
**DR. AMBROSIO CULTURA II**  
PRESIDENT, USTIP

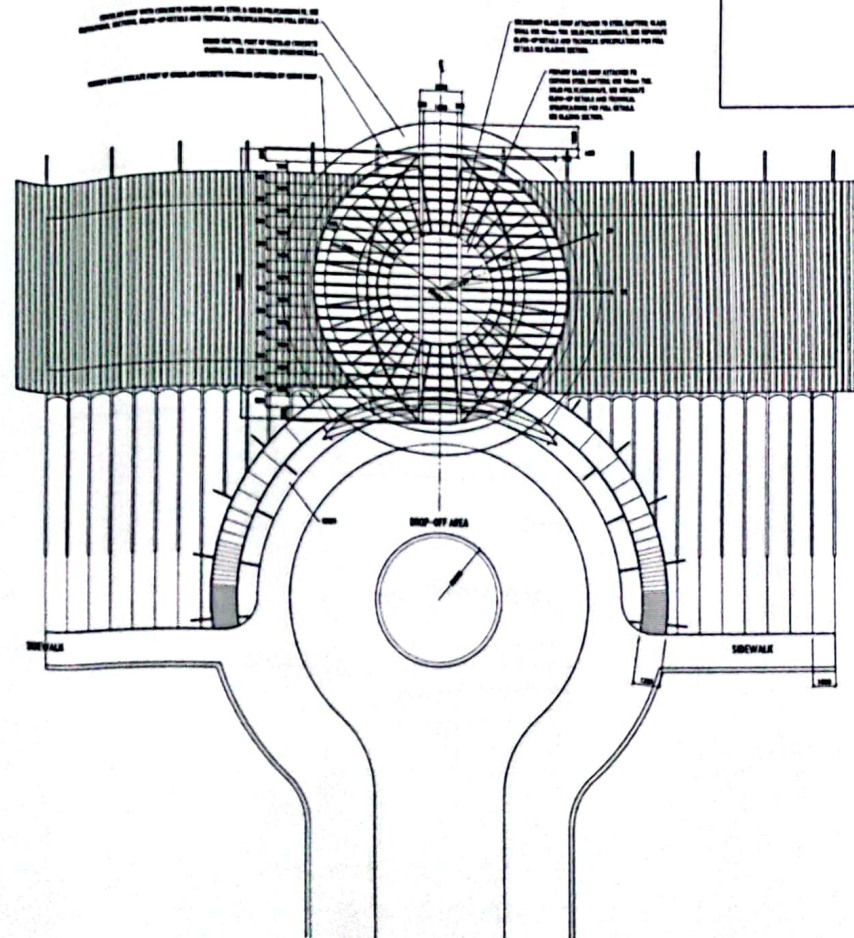
PROJECT NO. \_\_\_\_\_  
SHEET NO. \_\_\_\_\_

DESIGNED BY: \_\_\_\_\_  
DATE DRAWN: \_\_\_\_\_  
BY: \_\_\_\_\_  
DATE: \_\_\_\_\_

**A1**



**FLOOR PLAN**  
SCALE: 1:100



**ROOF PLAN**  
SCALE: 1:100



REPUBLIC OF THE PHILIPPINES  
UNIVERSITY OF SCIENCE AND TECHNOLOGY OF SOUTHERN PHILIPPINES  
CAGAYAN DE ORO CAMPUS  
INFRASTRUCTURE PLANNING AND FACILITY DEVELOPMENT UNIT  
CLASSIC CENTER BUILDING, LAMPANG CLOTHING AND DRY STORE  
TELEPHONE: (8082) 73-00-00 / (8082) 800-1700 / (8082-7300) FAX: (8082) 800-1400  
WWW.USTIP.USTP.EDU.PH

**AR. JEFFERSON L. TAALA**  
ARCHITECT  
PROJ. NO. PROJ. NO. DATE PLACE

**PROPOSED PROJECT MANAGEMENT OFFICE PHASE 2**  
LOCATION: USTP ALABANG CAMPUS, ALABANG, MARINA, CAGAYAN DE ORO CITY  
OWNER: UNIVERSITY OF SCIENCE AND TECHNOLOGY OF SOUTHERN PHILIPPINES

DESIGNED BY: **AR. JEFFERSON L. TAALA**  
CHECKED BY: **AR. JEFFERSON L. TAALA**

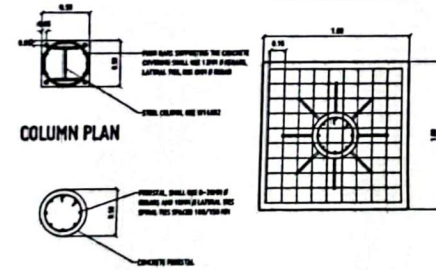
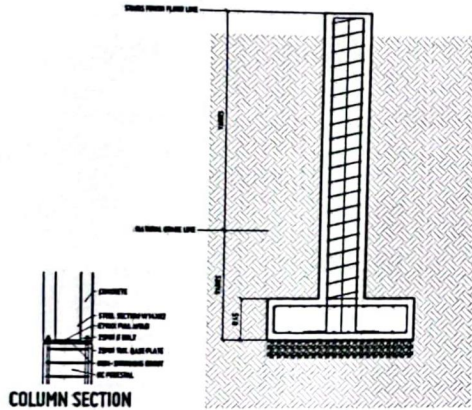
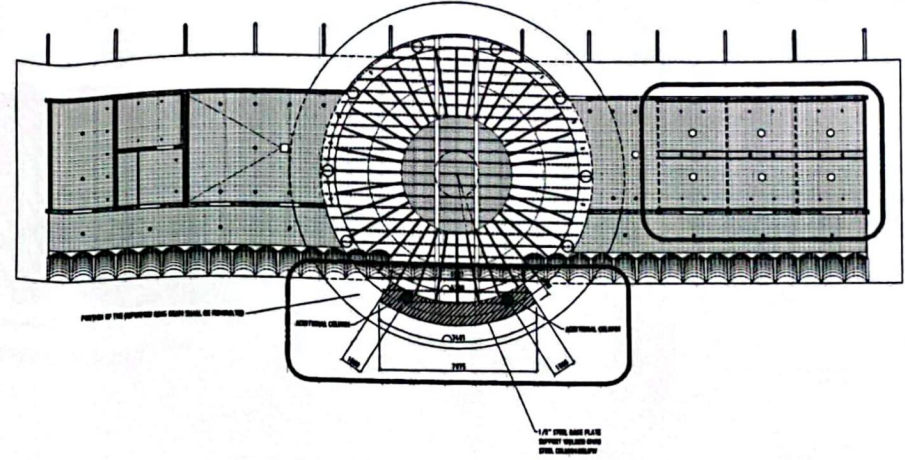
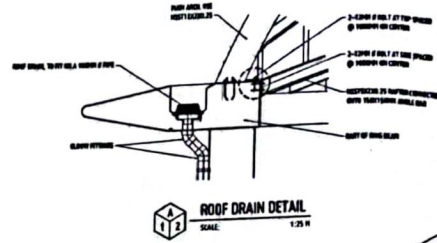
DESIGNED BY: **ATTY. EDWIN S. BUCIO**  
CHECKED BY: **ATTY. EDWIN S. BUCIO**

APPROVED BY: **DR. AMOROSO CULTURA II**  
DATE: 11/17/2018

SHEET CONTENTS	REVISIONS

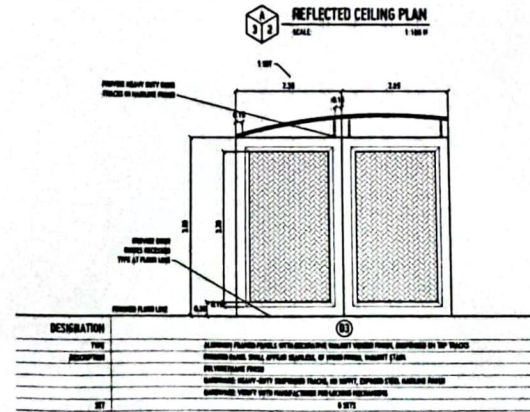
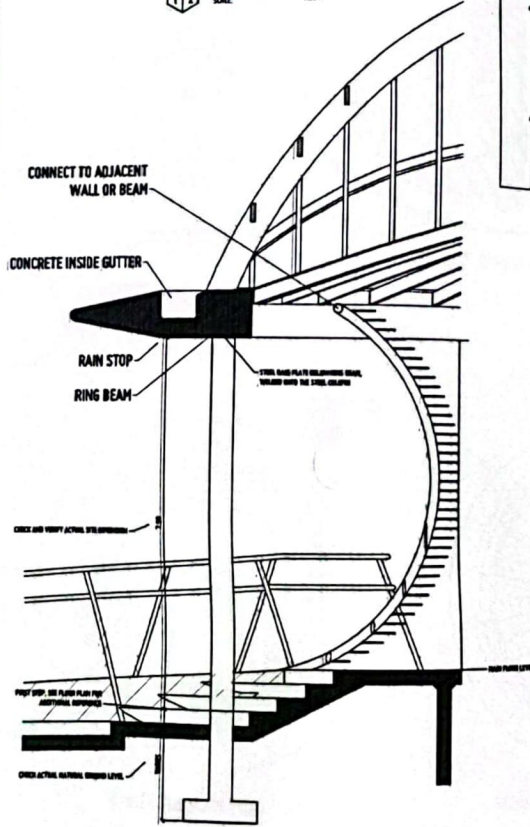
NO.	DATE	BY	APP.





FOOTING DETAILS

STEEL BARS - 3-#10 --- 3-#10 @ TOP FLANGE  
 4-#10 @ BOTTOM FLANGE  
 1-#10 --- 1-#10 @ TOP FLANGE  
 2-#10 @ BOTTOM FLANGE



REPUBLIC OF THE PHILIPPINES  
UNIVERSITY OF SCIENCE AND TECHNOLOGY OF SOUTHERN PHILIPPINES  
CAGAYAN DE ORO CAMPUS  
INFRASTRUCTURE PLANNING AND FACILITY DEVELOPMENT UNIT  
CLAYTON PLAZA AVENUE, LAPAN, CAGAYAN DE ORO CITY 9000  
TELEPHONE: 8082-77-00-05 / 8082-7700-1770 / 808-1770 | FAX: 8082-7700-0000  
WWW.USTIP.USTP.EDU.PH

AR. JEFFER JOHN L. TALA  
ARCHITECT

PROJECT: PROPOSED PROJECT MANAGEMENT OFFICE PHASE 2  
 LOCATION: DSEP ALABRIZ CAMPUS, LAPAN, ALABRIZ, NEGROS ORIENTAL  
 OWNER: UNIVERSITY OF SCIENCE AND TECHNOLOGY OF SOUTHERN PHILIPPINES

RECOMMENDING APPROVAL:  
 AN PERMANANDA TORRALBA  
 DIRECTOR, INFRASTRUCTURE PLANNING AND FACILITY DEVELOPMENT OFFICE

RECOMMENDING APPROVAL:  
 ATTY. ERWIND BUCHO  
 OF THE ARCHITECTURAL BOARD OF NEGROS

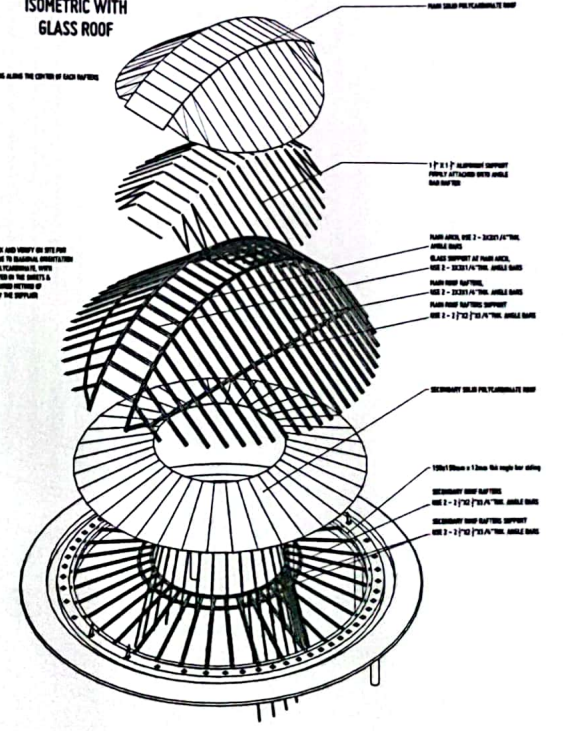
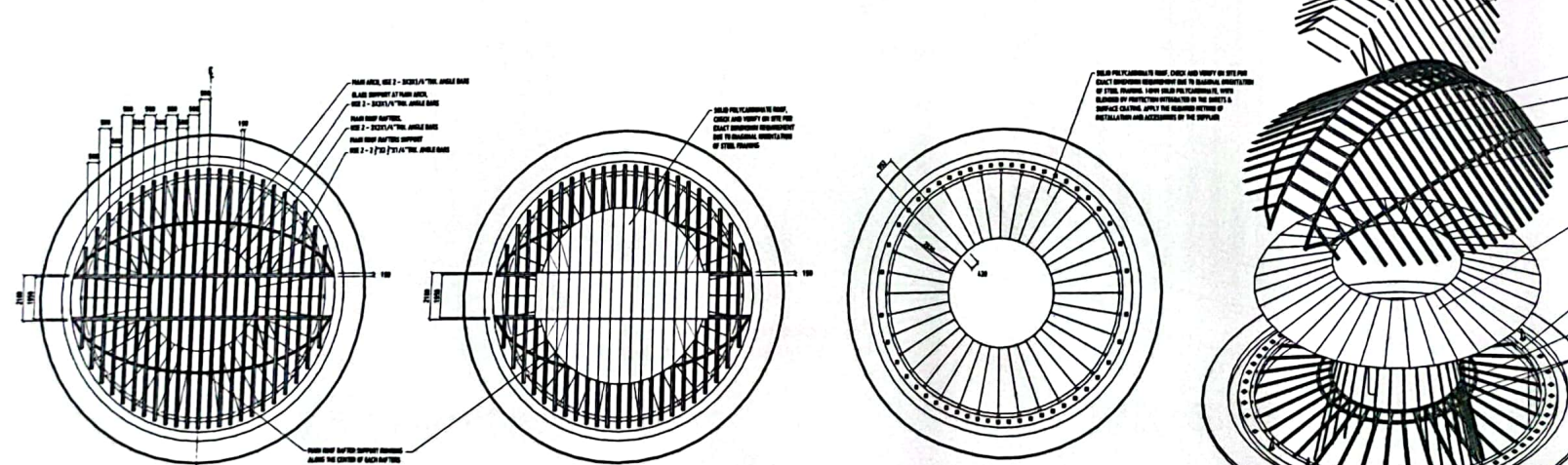
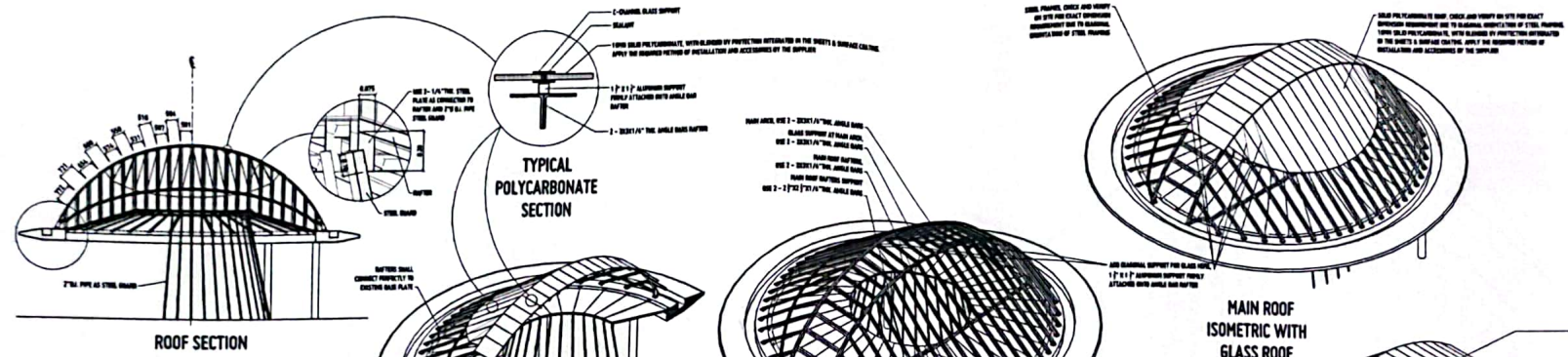
APPROVED BY:  
 DR. AMBROSIO S. CULTURA II  
 PRESIDENT, USTP SYSTEM

SHEET CONTENTS:  
 SHEET NUMBER

DESIGNED BY:  
 JLN  
 CHECKED BY:  
 JLN  
 DATE OF SHEET:  
 07/2022  
 DATE:

A3





ROOF DETAILS  
SCALE: 1/8" = 1'-0"

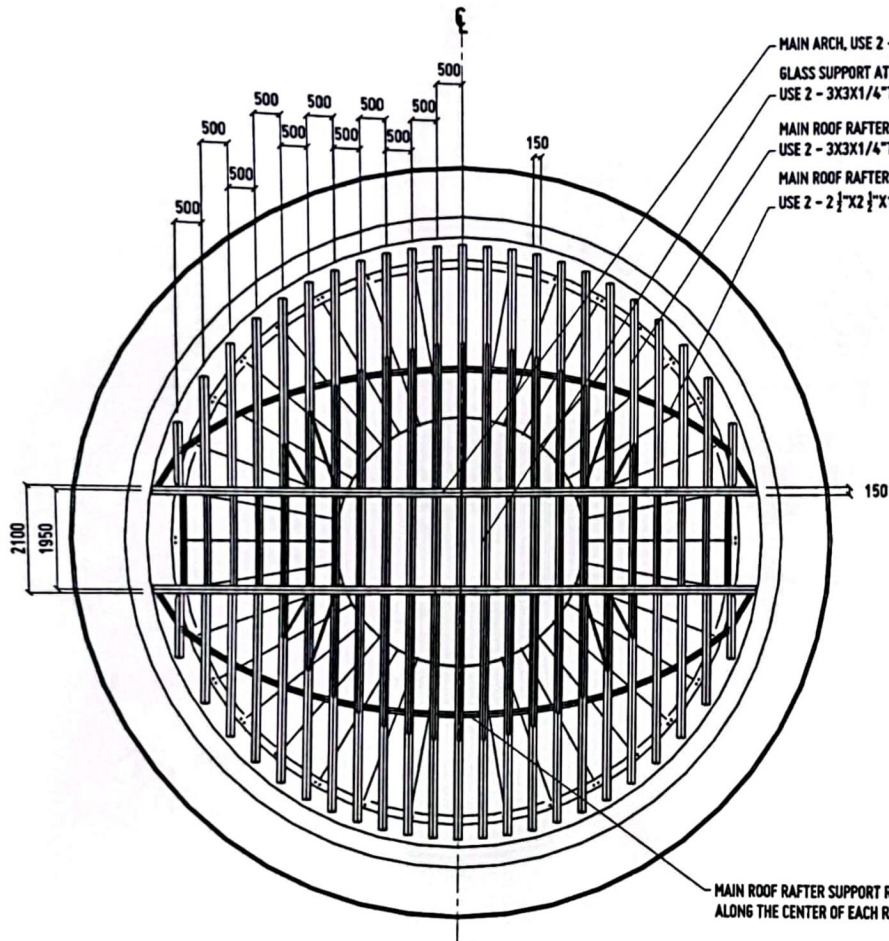


REPUBLIC OF THE PHILIPPINES UNIVERSITY OF SCIENCE AND TECHNOLOGY OF SOUTHERN PHILIPPINES CAGAYAN DE ORO CAMPUS INFRASTRUCTURE PLANNING AND FACILITY DEVELOPMENT UNIT CLAMAR, INCITE AVENUE, LAPAN, CAGAYAN DE ORO CITY 9000 TELEPHONE: (8092) 71-40-40 / (8092) 400-1770 / (809-1770) 7141 FAX: (809) 400-1488 WWW: www.ustip.edu.ph		<b>DR. JIFFER ANN L. TAALA</b> ARCHITECT	PROJECT: <b>PROPOSED PROJECT MANAGEMENT OFFICE PHASE 2</b> LOCATION: <b>WEST ALABANG CAMPUS, LAPAN, ALABANG, NEGROS ORIENTAL</b> OWNER: <b>UNIVERSITY OF SCIENCE AND TECHNOLOGY OF SOUTHERN PHILIPPINES</b>
PREP. BY: _____ DATE: _____ DES. BY: _____ DATE: _____	CHECKED BY: _____ DATE: _____ APPROVED BY: _____ DATE: _____	RECOMMENDED APPROVAL: _____ DIRECTOR, INFRASTRUCTURE PLANNING AND FACILITY DEVELOPMENT UNIT	RECOMMENDED APPROVAL: _____ AFFY ERMAN DE BUENO VICE CHIEF, REGISTRATION & LEGAL AFFAIRS

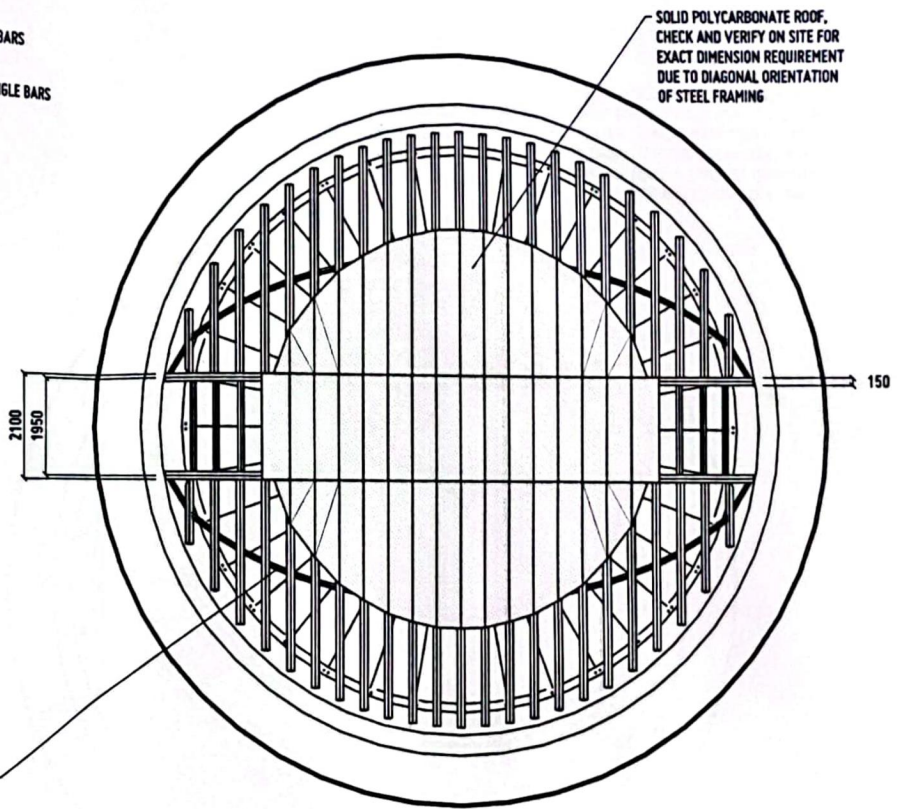
SHEET CONTENTS: SHEET CONTENTS	DRAWN BY: _____ DATE: _____ IN CHARGE: _____ DATE: _____
-----------------------------------	---

APPROVED BY: _____ DR. AMBROSIO C. CULTURA II PRESIDENT, USTIP SYSTEM
---





**MAIN ROOF PLAN FRAME ONLY**



**MAIN ROOF PLAN WITH GLASS ROOF**



**BLOW-UP ROOF PLAN DETAILS**

SCALE: 1:200 MTS



REPUBLIC OF THE PHILIPPINES  
UNIVERSITY OF SCIENCE AND TECHNOLOGY OF SOUTHERN PHILIPPINES  
CAGAYAN DE ORO CAMPUS  
INFRASTRUCTURE PLANNING AND FACILITY DEVELOPMENT UNIT  
BLK 6, 10TH AVENUE, LOURDES, CAGAYAN DE ORO CITY 9000  
TEL: (083) 222-11-66-68 / 222-66-1730 / 222-1730-1166  
WWW.USTIP.USTP.EDU.PH

**DR. JEFFERSON L. TAALA**  
ARCHITECT OF RECORD  
DATE: \_\_\_\_\_  
PLACE: \_\_\_\_\_

**PROPOSED PROJECT MANAGEMENT OFFICE PHASE 2**  
LOCATION: USTP ALBUJID CAMPUS, LOURDES, ALBUJID, MISAMIS ORIENTAL  
OWNER: UNIVERSITY OF SCIENCE AND TECHNOLOGY OF SOUTHERN PHILIPPINES

RECOMMENDING APPROVAL  
**DR. FERDINAND A. BUNPA**  
DIRECTOR, USTP

RECOMMENDING APPROVAL  
**ATTY. ERWIN B. RUCIG**  
DIRECTOR, USTP

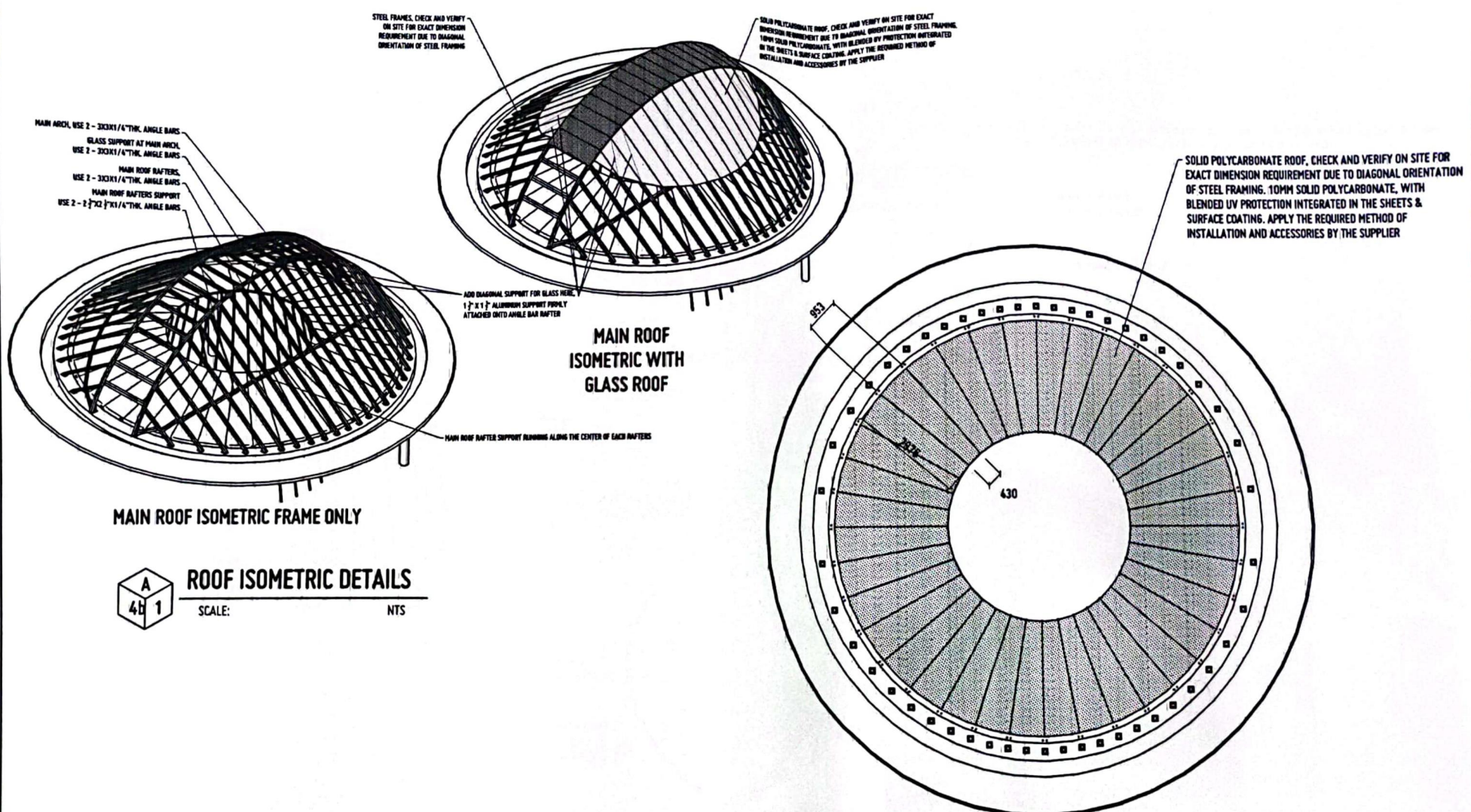
APPROVED BY:  
**DR. AMBROSIO CULTURA II**  
PRESIDENT, USTP SYSTEM

SHEET CONTENTS:  
SUPPLEMENTARY DRAWINGS  
BLOW-UP ROOF PLAN DETAILS

DATE: \_\_\_\_\_  
SCALE: \_\_\_\_\_  
NO: \_\_\_\_\_

**A4a**





**ROOF ISOMETRIC DETAILS**  
SCALE: \_\_\_\_\_ MTS

**BLOW-UP ROOF PLAN DETAILS**  
SCALE: 1:200 MTS

**SECONDARY ROOF PLAN WITH POLYCARBONATE ROOF**

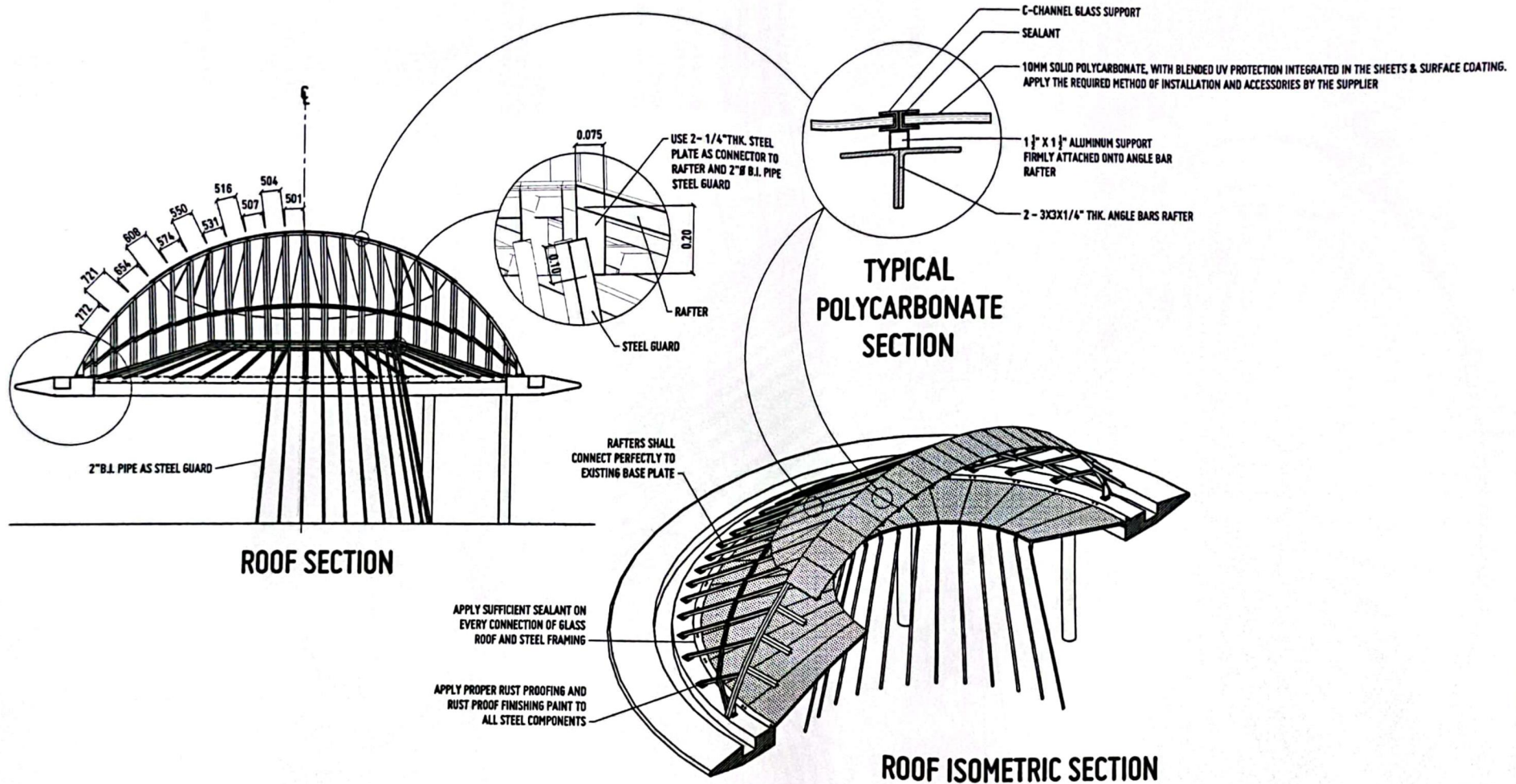


REPUBLIC OF THE PHILIPPINES UNIVERSITY OF SCIENCE AND TECHNOLOGY OF SOUTHERN PHILIPPINES CAGAYAN DE ORO CAMPUS INFRASTRUCTURE PLANNING AND FACILITY DEVELOPMENT UNIT CLARA H. SACTA AVENUE, LAPASAN, CAGAYAN DE ORO CITY 9000 TELEPHONE: (8082) 77-40-40 / (8082) 950-7700 / (8082-7710) FAX: (8082) 970-4880 WEBSITE: www.ustip.edu.ph		PROJECT: <b>PROPOSED PROJECT MANAGEMENT OFFICE PHASE 2</b> LOCATION: <b>USTP ALIBULID CAMPUS, LOURDES, ALIBULID, MISAMIS ORIENTAL</b> OWNER: <b>UNIVERSITY OF SCIENCE AND TECHNOLOGY OF SOUTHERN PHILIPPINES</b>
ARCHITECT OF RECORD: <b>MR. JEFFERSON L. TAALA</b>	DATE: SHEET NO.:	PROJECT NO.: DRAWING NO.:

REVISIONS APPROVAL: ARZERRONANDO B. BUNPA	RECOMMENDED APPROVAL: ATTY. ERWIN B. BOCHU	APPROVED BY: DR. AMBROSIO CULTURA II PRESIDENT, USTP SYSTEM	SHEET CONTENTS: SUPPLEMENTARY DRAWINGS: BLOW-UP ROOF PLAN DETAILS ROOF ISOMETRIC DETAILS	DRAWN BY: DATE:
--	---	---	---	--------------------

A4b





**BLOW-UP ROOF DETAILS**

SCALE: NTS



REPUBLIC OF THE PHILIPPINES  
UNIVERSITY OF SCIENCE AND TECHNOLOGY OF SOUTHERN PHILIPPINES  
CAGAYAN DE ORO CAMPUS  
INFRASTRUCTURE PLANNING AND FACILITY DEVELOPMENT UNIT  
BLVD. R. MICTO AVENUE, LUPATON, CAGAYAN DE ORO CITY 9000  
TEL: (8092) 73-40-40 / (8092) 200-1734 / (809-1734) FAX: (8092) 200-1480  
WWW.USTIP.EDU.PH

**DR. JIFFER JOHN L. TAALA**  
ARCHITECT OF RECORD  
P.O. NO. P.O. NO. DATE PLACE

**PROPOSED PROJECT MANAGEMENT OFFICE PHASE 2**  
LOCATION: USTP ALUBIJO CAMPUS, LOURDES, ALUBIJO, MISAMIS ORIENTAL  
OWNER: UNIVERSITY OF SCIENCE AND TECHNOLOGY OF SOUTHERN PHILIPPINES

RECOMMENDING APPROVAL: **AR. FERDINAND A. TAMPA**  
DATE: 09/26/2024

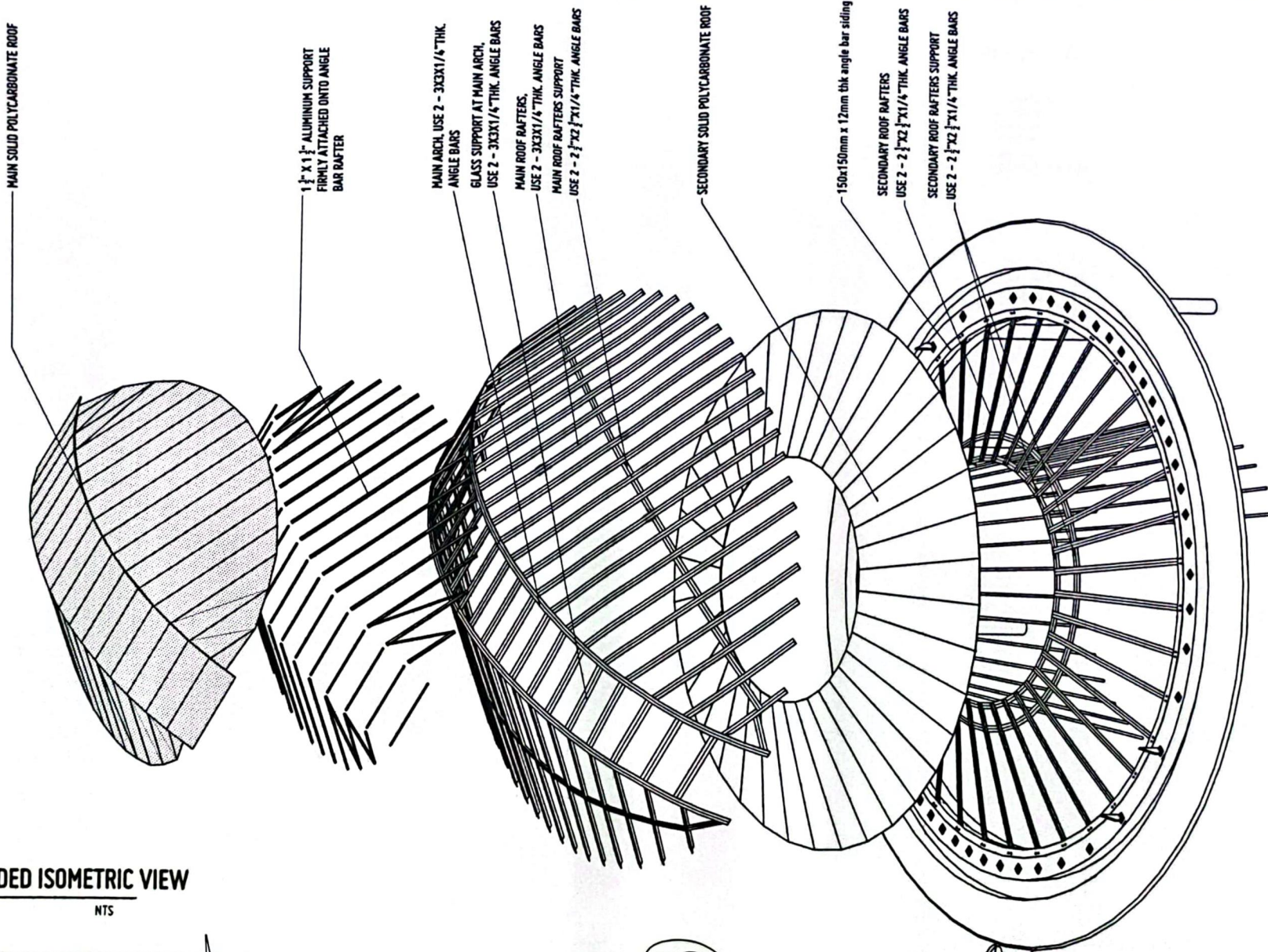
RECOMMENDING APPROVAL: **ATTY. ERWIN B. BUCHO**  
SECTION FOR REGISTRATION & LEGAL AFFAIRS

APPROVED BY: **DR. AMBROSIO CULTURA II**  
PRESIDENT, USTP SYSTEM

SHEET CONTENTS:  
SUPPLEMENTARY DRAWINGS: BLOW-UP ROOF SECTION DETAILS  
BLOW-UP ROOF SECTION DETAILS  
DATE: 09/26/2024  
REV:







A  
4 d

**ROOF EXPLODED ISOMETRIC VIEW**

SCALE: NTS



REPUBLIC OF THE PHILIPPINES  
UNIVERSITY OF SCIENCE AND TECHNOLOGY OF SOUTHERN PHILIPPINES  
CAGAYAN DE ORO CAMPUS  
INFRASTRUCTURE PLANNING AND FACILITY DEVELOPMENT UNIT  
SUITE 6, BECTRA LANSING, CAGAYAN DE ORO CITY 9000  
ALABRADO & BONICELLI STS - 401-401 / (088) 888-1738 / (088-4738) / FAX: (088) 888-4888  
WWW.USTIP.UTP.PH

AR. JEFFERSON L. TAMALA  
ARCHITECT OF RECORD  
PREP BY: JPT/MS  
DATE: 04/17  
DRAWN BY: JPT/MS  
DATE: 04/17

PROJECT: PROPOSED PROJECT MANAGEMENT OFFICE PHASE 2  
LOCATION: USTP ALABRADO CAMPUS, LOURDES, ALUBIJO, MISAMIS ORIENTAL  
OWNER: UNIVERSITY OF SCIENCE AND TECHNOLOGY OF SOUTHERN PHILIPPINES

DESIGNED BY APPROVAL:  
AR. FERDINAND B. BOMPA  
DIRECTOR, USTP

RECOMMENDED APPROVAL:  
ATTY. ERWIN B. BUENO  
DUC - UP FOR ADMINISTRATION & LEGAL AFFAIRS

APPROVED BY:  
DR. AMBROSIO P. CULTURA II  
PRESIDENT, USTP SYSTEM

SHEET CONTENTS:  
APPLICATION FOR PERMIT TO CONSTRUCT  
ROOF EXPLODED ISOMETRIC VIEW

A4d