



INVITATION /REQUEST FOR SUBMISSION OF PRICE QUOTATION
Posted in PhilGEPS Website/Conspicuous Place at the Procuring Entity

The University of Science & Technology of Southern Philippines, through the Bids and Awards Committee (BAC) hereby invites interested parties to submit quotation for the procurement of the following item:

Reference No	Qty.	Unit	Specification/Description	Budget for the Contract	Mode of Procurement
RFQ-NP-SVP-398-2021	Please see details below	Please see details below	Negotiated Procurement for the Design, Fabrication and Testing of Defleshing Equipment for ICE Cream Making	₱100,000.00	Small Value Procurement- Section 53.9, Rule XVI, Revised IRR of RA 9184)

Deadline for the submission of quotation is on July 30, 2021 at 12:00 noon at the Procurement Unit, 2nd Floor, USTP Gymnasium building. You may submit your quotation through fax number 856-4896 / 856-1739 or through personal delivery in a sealed envelope.

The University of Science & Technology of Southern Philippines reserves the right to accept or reject any or all bids / price quotations, to annul the process, and to reject all bids at any time prior to contract award, without thereby incurring any liability to the affected bidder or bidders.


ATTY. KENNETH M. KEMPIS
BAC II Chairman




Date: July 22, 2021
Quotation No.: RFQ-NP-SVP-398-2021

Name of Project: Procurement for Design,
Fabrication and Testing of Defleshing
Equipment for ICE Cream Making

The Manager

Cagayan de Oro City

Please quote your lowest price on the item/s listed below, subject to the general Conditions stated below, stating the shortest time of delivery and submit your quotation duly signed by your representative not later than July 30, 2021 at 12:00 noon. Please enclosed in a sealed envelope.


ATTY. KENNETH M. KEMPIS

BAC II Chairman

- NOTE:
1. DELIVERY PERIOD WITHIN 7 CALENDAR DAYS UPON RECEIPT OF PO.
 2. PRICE VALIDITY SHALL BE FOR A PERIOD OF 30 CALENDAR DAYS
 3. BIDDERS SHALL SUBMIT ORIGINAL BROCHURES SHOWING CERTIFICATIONS OF THE PRODUCT BEING OFFERED. (if applicable)
 4. THE USTP RESERVES THE RIGHT TO REJECT ANY OR ALL BIDS FOR ANY JUSTIFIABLE AND REASONABLE GROUND WHERE THE AWARD OF THE CONTRACT WILL NOT REDOUND TO THE BENEFIT OF THE GOP.
 5. REQUIREMENTS: 1) PHILGEPS REGISTRATION (PLATINUM MEMBERSHIP).

ITEM #	QTY	UNIT	DESCRIPTIONS AND SPECIFICATIONS	APPROVED UNIT COST (php)	UNIT PRICE
1	1	lot	Fabrication of Defleshing Equipment (Number of unit: 1 with atleast 1 month warranty.2. Includes electrical and control installation (see attached drawing)	100,000.00	

Price Validity:

After having carefully read and accepted for General Conditions, I/We quote on the item at prices noted above.

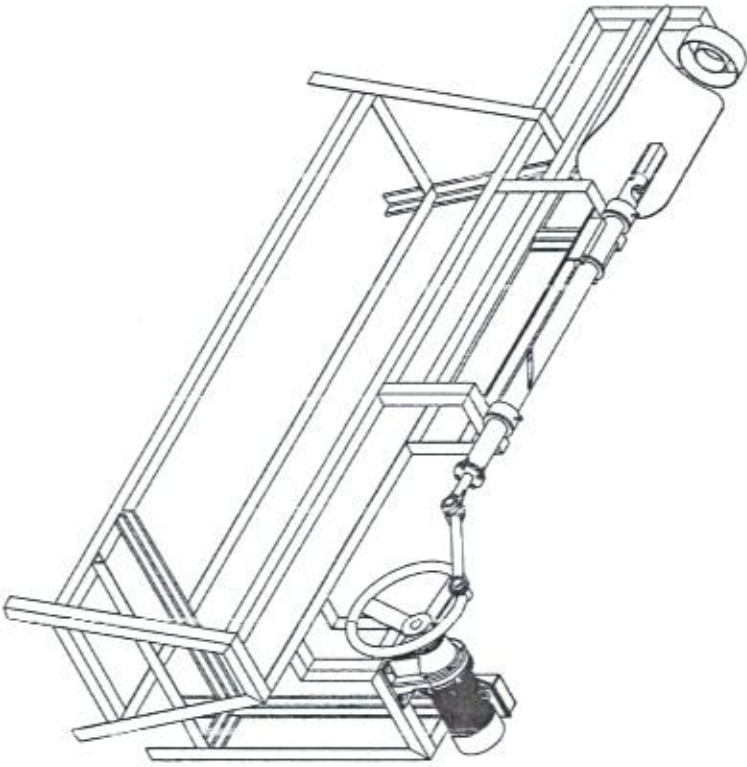
Ganas-Fabrication
RFQ-NP-SVP-398-2021
Resolution No. 456 s. 2021
PR No.-202107-448

Tel. #/address/e-mail add

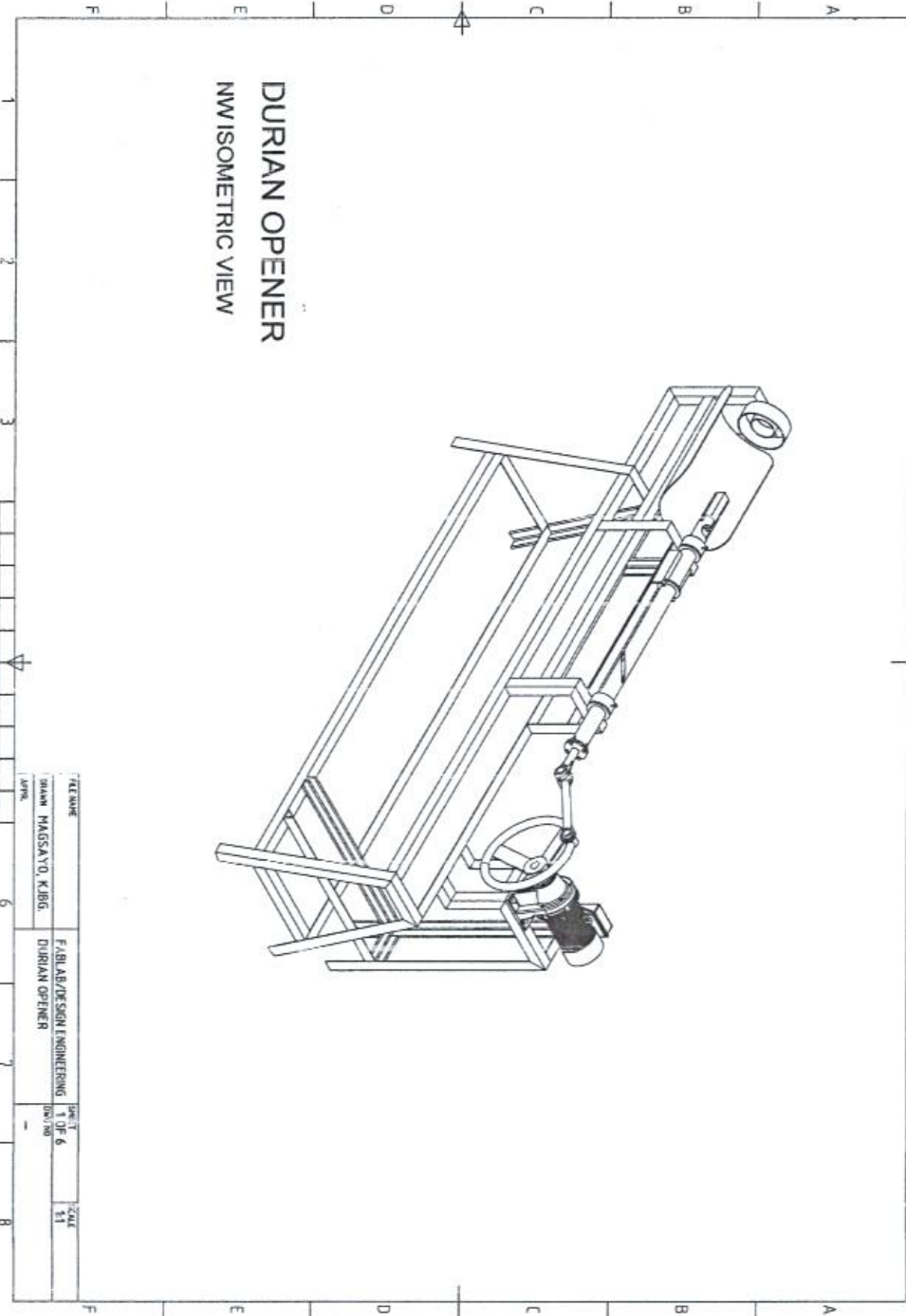
Date

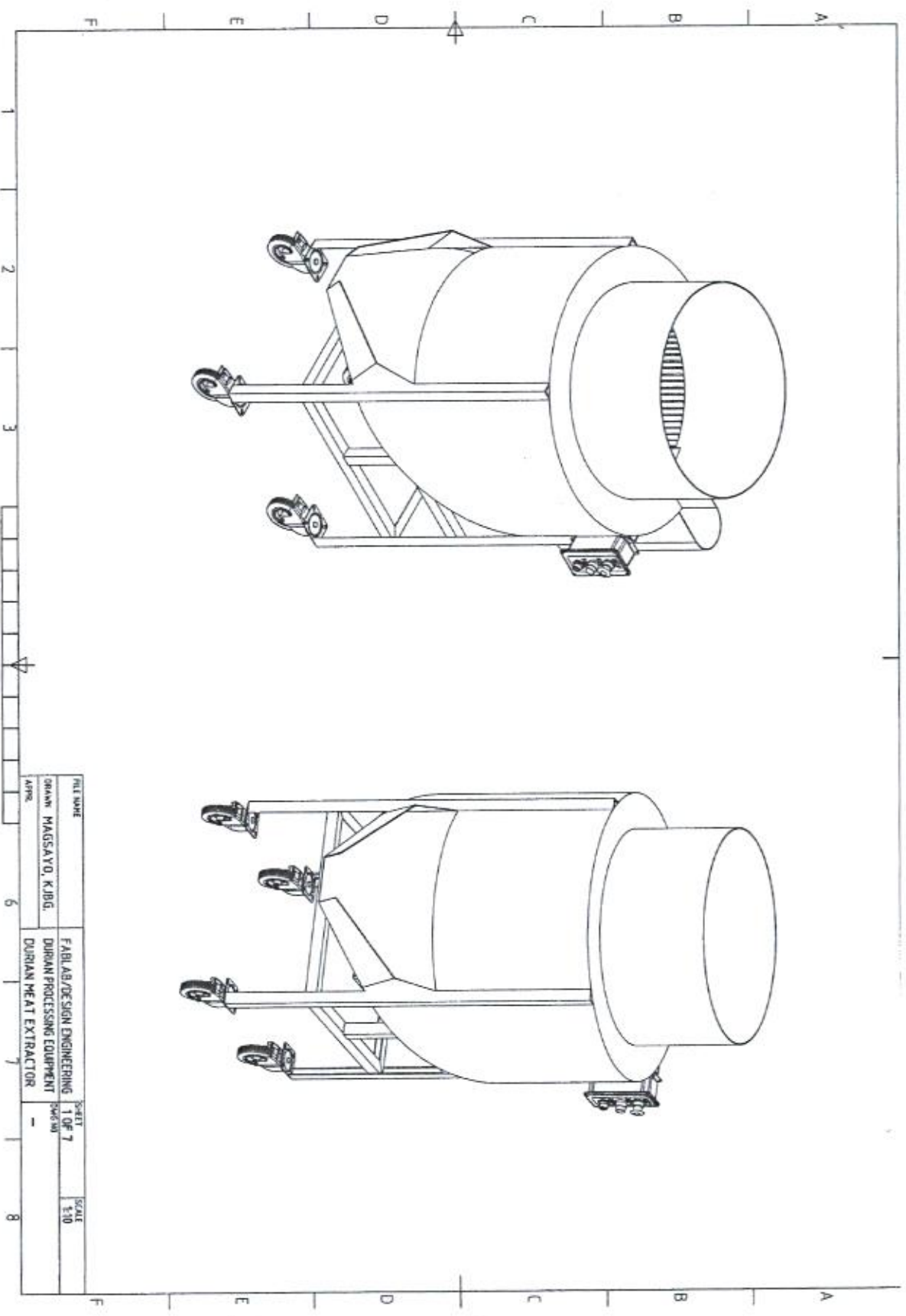
C.M. Recto Avenue, Lapaan, Cagayan de Oro City 9000 Philippines, Tel. Nos. +63 (88) 856 1738; Telefax +63 (88) 856 4696 | www.ustp.edu.ph

DURIAN OPENER
 NWISOMETRIC VIEW



FILE NAME	SHEET
SIAMH MAGSA V.O. KJBG.	1 OF 6
DURIAN OPENER	DATE
	11





FILE NAME	FABRI AB/DESIGN ENGINEERING	SHEET	SCALE
DRAWN	MAGSAYO, K.B.G.	1 OF 7	1:10
APPD.	DURIAN PROCESSING EQUIPMENT	CM/S	
	DURIAN HEAT EXTRACTOR		